

ENSTO

Enclosing solutions

For demanding environments



Better life.
With electricity.

Our enclosing solutions protect your electronic equipment in numerous applications from various external risk factors.

ensto.com

Enclosing solutions

For your specific needs

We offer you high-quality standard and customer-specific enclosing solutions made from thermo-plastic, polyester and aluminium. Our solutions are developed for demanding industrial environments requiring a high degree of protection and extreme durability.

Our broad product range covers thermoplastic, polyester, and aluminium enclosures, alongside related accessories suitable for extremely challenging environments.

Our customer-specific service offering includes the customizing of standard enclosures, along with specially designed enclosures. We also offer integration services including the sourcing of third-party components.

Benefits of using our solutions



Reliable long-term partner

Ensto is a financially solid family-owned company founded in 1958. We have modern production facilities and quality assured processes, offering excellent customer care.



Experienced professionals

We are experts with over 50 years experience in industrial solutions. We have knowledge of solutions made for a wide range of applications in various environments and an excellent design team to support your processes.



Reliable and fast deliveries

You get our products when you need them. This brings cost-savings, helping you optimize your operations.



Reliable, certified products

Our enclosures are designed and tested to serve a broad range of industrial applications, in diverse environments.



Products with long service life

Thanks to their clever design, our enclosures are reliable and have a long lifespan. This brings you savings on installation maintenance and replacement costs.





Contents

A broad, globally used selection of enclosing solutions	4
Widely applicable	5
Choosing an enclosure.....	6
Technical information	7
Material comparison	8
Degree of protection	10
Ensto Cubo enclosures in more detail	11
Service offering	12
Quality assured manufacturing	14

Thermoplastic enclosures

 Ensto Cubo S enclosures, IP66 and IP67 Sizes 75 x 125 x 35 to 175 x 250 x 150 mm with plain sides, or with metric/Pg knockouts.....	18
 Ensto Cubo D enclosures, IP66 and IP67 Sizes 53 x 55 x 36 to 230 x 300 x 111 mm with plain sides.....	22
 Ensto Cubo O enclosures, IP66 and IP67 Sizes 200 x 200 x 132 to 400 x 600 x 187 mm with plain sides, or with metric knockouts	24
 Ensto Cubo C enclosures, IP66 and IP67 Sizes 200 x 200 x 132 to 400 x 600 x 187 mm with flange knockouts	24
 Ensto Cubo W wall cabinets, IP66 and IP67 Sizes 200 x 200 x 132 to 400 x 600 x 187 mm with plain sides, and pre-assembled hinges and quick release latches	24
Accessories for Ensto Cubo O, C and W enclosures	27
 Ensto Modulo distribution enclosures, IP65 Sizes 166 x 231 x 113 to 418 x 586 x 148 mm with factory installed DIN-rails, earth and neutral bars.....	31
 Ensto terminal junction boxes, IP67 Sizes 200 x 200 x 132 to 400 x 600 x 187 mm including everything needed for connecting wires, extending or branching cables.....	33

Polyester enclosures

 Ensto Cubo N wall cabinets IP66 Sizes 250 x 300 x 140 to 600 x 800 x 300 mm with plain sides.....	35
 Ensto Cubo M enclosures, IP66 Sizes 75 x 80 x 55 to 400 x 405 x 120 mm with plain sides.....	37

Aluminium enclosures

 Ensto Cubo H enclosures, IP66 Sizes 50 x 45 x 30 to 310 x 601 x 180 mm with plain sides.....	39
--	----

Common accessories for enclosures	42
--	----

Index	47
--------------------	----

A broad, globally used selection of enclosing solutions

We are specialists in enclosures and customer-specific enclosing solutions. Our standard product range includes thermoplastic, polyester, and aluminium enclosures, with the related accessories suitable for demanding environments.



Our service offering includes both customizing of standard enclosures and the design and manufacture of special enclosing solutions developed in close cooperation with your organization to suit your specific needs. We also offer assembly services, and sourcing of third-party components.

We are a reliable and flexible partner with experienced personnel. Our strengths include good knowledge of various materials and an innovative design department.

For further information, visit ensto.com/enclosing-solutions

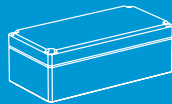
Ensto Cubo
ENCLOSING SOLUTIONS



Machining · Prints · Painting · Assembly
Customer-specific sizes · Testing · Sourcing

Thermoplastics

Size range:
53 x 55 x 36 to 400 x 600 x 187 mm



Polyester

Size range:
75 x 80 x 56 to 800 x 600 x 300 mm



Aluminium

Size range:
50 x 45 x 30 to 313 x 404 x 181 mm



IP65
IP66
IP67



IK07
IK08
IK09



Certified operations · Modern production facilities · Reliable and fast deliveries · One-stop shop
Products designed to last · Experience with customer-specific solutions · Experienced design department

Widely applicable

We have broad experience in creating enclosing solutions for many industrial segments. Our reference from long-term customer relationships with globally recognized industrial companies is testament to our reliability and superior customer service.

Our enclosing solutions protect your electronic equipment in numerous applications from various external risk factors, among them dust, water, moisture, impacts and tampering. Thanks to their high degree of protection and impact strength, our solutions are able to withstand challenging environments in even the most demanding industries.

Our offering also includes explosion protection enclosing solutions targeted for hazardous areas requiring demanding Ex certifications. These solutions are introduced in a separate explosion protection solutions catalogue and on the related website enstoex.com.

Food industry



Agriculture



Infrastructure



Transportation



Shipbuilding



Industrial automation



Energy production



Water treatment



Waste management



Choosing an enclosure

When choosing a protective enclosure, understanding the principles of operation of the equipment that will be installed, as well as the conditions in which that equipment will operate, is crucial. With this information, precise and accurate identification of the required enclosure parameters is possible. Parameters to be considered include:



Material

Our Ensto Cubo range includes enclosures made of thermoplastics (ABS and polycarbonate), polyester, and aluminium. We use high-quality materials provided to us by the world's leading suppliers. Using the right

material ensures the safety of the installed equipment and its users while also eliminating the risk of unnecessary additional costs arising from unexpected downtime. The maintenance needs of an enclosure depend on the materials used.



Dimensions

The size of the enclosure is determined by the minimum and/or maximum dimensions of the application. When selecting the size, please consider whether further components are likely to be added at a later stage and, if so, whether the dimensions of the enclosure will still be adequate.

We have a wide range of sizes available for our standard enclosures. In addition to these, we can create solutions with customer-specific sizes.



Degree of protection

For effective enclosure, the degree of protection is an important factor. The degree of protection is defined purely for the enclosure and should be maintained during the installation work, meaning that, for instance the IP code of the cable glands used for cable entries should be higher or the same as that of the enclosure. Further information about degrees of protection is available on page 10.

IP code (European standard EN 60529)

All Ensto Cubo enclosures are designed for use in demanding environments. Their IP code ranges between IP65 and IP67. We have also made customer-specific solutions with an IP69K rating that covers high-pressure, high-temperature wash-

down applications. These applications are dust tight and able to withstand high-pressure and steam cleaning.

IK code (European standard EN 62262)

The IK code for our thermoplastic enclosures ranges between IK06 and IK10.

Environmental type classification

UL 50 E

Our enclosures are tested according to American environmental type classification by the UL. Environmental type classification is also known as NEMA classification. Further information can be found on the UL website ul.com.



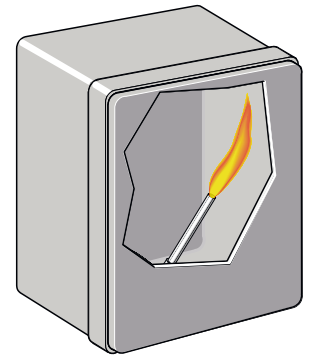
Flammability

Flammability is defined as how easily something will burn or ignite, causing fire or combustion. The flammability-related requirements for an enclosure depend on the application for which it is used. Flammability class refers to classification of the ignition- and burning-resistance characteristics of other than metal or ceramic materials. Our enclosures have been tested in terms of flammability by Underwriters Laboratories.

Most of our polycarbonate enclosures

have been tested according to UL 746C and pass the demanding five-inch flame testing performed and certified by SGS. The flammability rating of our polycarbonate enclosure raw material is UL 94 V-2 / 5VA and ABS enclosure is UL 94 HB.

Our plastic enclosures also fulfill the glow wire test according to IEC 60695-2-11. Please see the Ensto Cubo technical information table below for further details.



Certificates

Ensto Cubo enclosures are certified in accordance with EN 62208 (SGS Fimko). Most of our polycarbonate enclosures are also UL and cUL listed (Underwriters Laboratories, File # E 189312). Our enclosures also have GOST R certification for sale in Russia.

Many of our enclosures also have a DNV Germanischer Lloyd certificate for marine applications. Please see the certificates table below for further details.

Ensto Cubo series	S		D		O		C	W	M	N	H
Material	PC	ABS	PC	ABS	PC	ABS	PC	PC	GRP	GRP	AL
SGS Fimko	X	X	X	X	X	X	X	X			
UL	X		X		X		X	X		X	
cUL	X		X		X		X	X		X	
GOST R	X	X	X	X	X	X	X	X			
DNV-GL	X		X		X		X	X			

Material:
 PC = polycarbonate
 ABS = acrylonitrile butadiene styrene
 GRP = glass reinforced polyester
 AL = aluminium

Certificates:
 UL = Underwriters Laboratories, File # E 189312 (USA)
 cUL = Underwriters Laboratories, File # E 189312 (Canada)
 DNV-GL = Category 'A'. Shipping Register (Germany)

Ensto Cubo technical information

Enclosure series	Cubo S		Cubo D		Cubo O		Cubo C	Cubo W
Material	PC	ABS	PC	ABS	PC	ABS	PC	PC
Enclosure side types	Plain sides, metric and Pg knockouts	Plain sides	Plain sides	Plain sides	Plain sides, metric knockouts	Plain sides	Flange knockouts	Plain sides
Minimum size (mm)	75 x 125 x 35		53 x 55 x 36		200 x 200 x 132		200 x 200 x 132	200 x 200 x 132
Maximum size (mm)	175 x 250 x 150		230 x 300 x 111		400 x 600 x 187		400 x 600 x 187	400 x 600 x 187
Degree of protection	IP66, IP67	IP66, IP67	IP66, IP67	IP66, IP67	IP66, IP67	IP66, IP67	IP66, IP67	IP66, IP67
Impact resistance	IK08 (-25 °C...+35 °C)	IK07 (+35 °C) IK06 (-25 °C)	IK08 (-25 °C...+35 °C)	IK07 (+35 °C) IK06 (-25 °C)	IK08 (-25 °C...+35 °C)	IK08 (+35 °C) IK07 (-25 °C)	IK08 (-25 °C...+35 °C)	IK08 (-25 °C...+35 °C)
Environmental type (UL / cUL)	4, 4X, 6, 12	N/A	4, 4X, 6, 12, 13	N/A	4, 4X, 12, 13	N/A	4, 4X, 12, 13	4, 4X, 12, 13
Continuous operating temperature	-40 °C... +80 °C	-40 °C... +60 °C	-40 °C... +80 °C	-40 °C... +60 °C	-40 °C... +80 °C	-40 °C... +60 °C	-40 °C... +80 °C	-40 °C... +80 °C
Flammability	UL 746C (5 inch flame)	N/A	UL 746C (5 inch flame)	N/A	UL 746C (5 inch flame)	N/A	UL 746C (5 inch flame)	UL 746C (5 inch flame)
Flammability, material	UL 94 V-2 / 5VA	UL 94 HB	UL 94 V-2 / 5VA	UL 94 HB	UL 94 V-2 / 5VA	UL 94 HB	UL 94 V-2 / 5VA	UL 94 V-2 / 5VA
Glow wire test	850 °C	650 °C	850 °C	650 °C	850 °C	650 °C	850 °C	650 °C

Enclosure series	Cubo M	Cubo N	Cubo H
Material	GRP	GRP	AL
Enclosure side types	Plain sides	Plain sides	Plain sides
Minimum size (mm)	75 x 80 x 55	250 x 300 x 140	50 x 45 x 30
Maximum size (mm)	400 x 405 x 120	600 x 800 x 300	310 x 601 x 180
Degree of protection	IP66	IP66	IP66
Impact resistance	7 Nm	IK10 ¹⁾	7 Nm
Environmental type (UL / cUL)	N/A	N/A	N/A
Continuous operating temperature	-40 °C... +110 °C	-40 °C... +80 °C	-40 °C... +110 °C
Flammability	N/A	UL 746C (5 inch flame)	N/A
Glow wire test	N/A	960 °C	N/A

Material:
 PC = polycarbonate
 ABS = acrylonitrile butadiene styrene
 GRP = glass reinforced polyester
 AL = aluminium

N/A = No information available

¹⁾ Models with polycarbonate window: IK07 (-5 °C...+80 °C)

Materials comparison

Our product range comprises enclosing solutions made from thermoplastics, polyester and aluminium. Below, we compare the various materials for their individual advantages and disadvantages.



Thermoplastics

Ensto Cubo thermoplastic enclosures are manufactured in high-quality halogen-free and recyclable polycarbonate or ABS plastics. Although plastic is much lighter than steel, it still has very high impact-resistance. In addition, any dents or bumps are not as noticeable with plastic as they would be with steel. For the maintenance of these enclosures, cleaning with a mild detergent is recommended.



Polycarbonate (PC)

- + High impact-resistance
- + High degree of protection
- + Light weight
- + Good resistance to chemicals
- + Wide range of operating temperatures
- + Self-extinguishing material
- + Easy machining with standard tools
- + Excellent insulation properties
- + Suitable for outdoor use
- + Also available with transparent cover
- Because of the fiberglass used, possible difficulty in achieving the desired color shade
- Resistance against some solvents

ABS (Acryl-butadiene styrene)

- + Cost-effectiveness
- + Light weight
- + Chemical-resistance
- + Easy machining with standard tools
- Impact-resistance lower than that of polycarbonate
- Narrower temperature-resistance range than polycarbonate
- Low resistance to UV radiation
- Not suitable for outdoor use
- Not available as transparent
- No self-extinguishing property

Polyester

Glass-reinforced polyester shows superb resistance to even extreme temperatures. It has high corrosion-resistance and is very resistant to solvents. Polyester is more expensive than polycarbonate and ABS. Since enclosures made from this material are difficult to machine, we recommend that you let us customize them for you. In work on polyester enclosures, it is important that you use an anti-dust respirator filter.



Polyester (GRP, glass-reinforced polyester)

- + Excellent temperature-resistance
- + Excellent impact-resistance
- + Non-corrosive material
- + Good resistance against solvents
- + Suitable for outdoor use
- + Suitability for most of areas metals are used
- Non-recyclable material

Aluminium

The relative weight of aluminium is only about a quarter the weight of steel. Aluminium is, however, more expensive than steel. It has high impact-resistance, a wide temperature-resistance range and excellent corrosion-resistance.



Aluminium

- + Lighter material than enclosure made of steel
- + High impact-resistance
- + Good resistance against solvents
- + A wide range of operating temperatures
- + Excellent corrosion-resistance
- Painted metal
- Conductive material

Degree of protection

IP Code (European standard EN 60529)

The IP Code consists of the letters IP followed by two digits and an optional letter. The first numeral of the code classifies the degrees of protection provided against the intrusion of solid objects and

dust. The second numeral specifies the protection against water. The optional letter may be appended to classify only the level of protection against human access to hazardous components.

1st numeral: Protection against intrusion



2nd numeral: Protection against water



1st numeral		2nd numeral	
0	No protection	0	No protection
1	Protection against objects \geq 50 mm	1	Protection against vertically falling water drops
2	Protection against objects \geq 12.5 mm	2	Protection against rain drops falling at max. 15° angle
3	Protection against objects \geq 2.5 mm	3	Protection against rain drops falling at max. 60° angle
4	Protection against solid objects \geq 1 mm	4	Protection against rain drops falling from all directions
5	Protection against dust, limited intrusion acceptable in all directions	5	Protection against low pressure jet water from all directions*
6	Total protection against dust	6	Protection against jet water under pressure*
		7	Protection against water intrusion under submersion at 1 m depth, 0.5 hour
		8	Protection against water intrusion under long term submersion under pressure
		9	Protection against high pressure and high temperature water jets

*Minor intrusion acceptable

IK code (European standard EN 62262)

IK code is an international numerical classification for the degree of protection provided by enclosures for electrical equipment

against external mechanical impact. The IK code for our thermo-plastic enclosures ranges between IK06 and IK10.

Protection against external mechanical impact



IK code	Impact energy (joules)
01-05	<1
06	1
07	2
08	5
09	10
10	20

Ensto Cubo enclosures in more detail



Enclosure covers

The enclosure cover can be transparent, so that the status of the equipment inside is easy to monitor. With thermoplastic enclosures, the whole cover is either grey or transparent. Grey covers are available in both ABS and polycarbonate.

Transparent covers are available with polycarbonate. Ensto ABS enclosures can be equipped with a polycarbonate window. Modular enclosures come with a hinged window available in either smoke-grey or transparent color.



Enclosure walls

The material thickness of our thermoplastic enclosures is greater than that of similar products on the market. This aids in the machining of threads. In addition, the use of, for instance, push buttons on the cover is safer, since the material is more rigid.

The bases of polycarbonate enclosures with knockouts have been reinforced with

fibreglass in order to add rigidity to the enclosure walls and to make it easier to knock out the cable entries.

We have a modular tooling structure that enables cost-efficient mold modifications. This proves especially efficient when creating customer-specific holes and cut-outs in a large series of enclosures.



Enclosure gaskets

We use injected, jointless PUR (polyurethane) gaskets in our thermoplastic, polyester and aluminium enclosures, to ensure a high protection class. Some enclosures are available with silicone gaskets, on request.

The temperature-resistance of the various gasket materials is as follows:

- Polyurethane -40 °C... +80 °C
- Chloroprene (CR) -40 °C... +110 °C
- Silicone -60 °C... +200 °C



Further information

Further information, technical data, accessory details, enclosure search tool, and technical drawings are available on our website at ensto.com/products/enclosures

Our service offering

In addition to standard enclosures, we also provide you with customization of standard enclosures and creation of special-design enclosures. We also offer customer-specific integration services as a part of our enclosing solutions. These

integrations can be made for all of our enclosures, and the delivery is a ready, functioning package for the customer's own assembly process.

Services related to our customer-specific enclosing solutions

Customizing of standard enclosures



Machining



Printing



Color service



Mechanical assembly



Customer-specific sizes

Special-design enclosures



Feasibility studies



3D modeling, prototyping and technical documentation



Mold sourcing and maintenance



Sub-assembly testing and certification



Manufacturing of customer-specific special tools

Integration services



Mechanical assembly



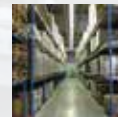
Electromechanical assembly



Testing



Sourcing



Logistics and quality assurance

CuboLink Lite configuration tool

CuboLink Lite is an Internet-based configuration tool designed for customizing our enclosures. The tool provides excellent support for the electronic order-delivery process making the process leaner and faster.

This tool is simple to use. You can select the standard enclosure from our range and then easily perform the necessary configuration. Openings and components can be added by using the drag-and-drop functionality.

Download it free of charge at ensto.com/cubolink



CuboLink Lite presentation available on our web pages



Download

Configuration

Document request

Checking and ordering

Manufacturing

Delivery

Engineering services

For your specific needs

Our innovative specialists are happy to support your engineering department in finding cost-effective solutions for your specific needs, saving on resources and making your processes leaner.

What are your needs?

Cost-efficient solutions

Our experts support you in acquiring and designing safer and more cost-efficient enclosing solutions tailored especially to your needs.

Customer-specific solutions

With our experienced design team, we support your product design for creation of specially designed enclosures, including a smooth technical documentation process, 3D modeling, and rapid prototyping.

High reliability

With our knowledge and range of materials, we are able to provide end customers with the greatest reliability. Material selections are always made together with our customers for optimal and secure manufacturability and technical performance.

Design files

We support your end-solution design process further by offering the design files related to both our standard and customer-specific solutions. The file formats available are PDF, DWG, DXF, STEP, and separately zipped STEP files, for use with, for example, E3 software.



Quality-assured manufacturing

Guaranteeing you smooth operations

We have dedicated in-house production facilities with state-of-the-art robot technology in both Estonia and Finland. Our factories have received ISO certification and undergo regular internal and external audits.

We are a financially solid company that has been profitable every year since our foundation in 1958. We strive to live up to our promise of sustainability by organizing our production and logistics processes to minimize energy consumption and waste, while implementing industry's best practises to assure the highest quality and a healthy work environment. We are also actively involved in auditing, certification testing, and continuously improving our work processes, and we adopt new models to make the human activities in our production chain more efficient. For our customers, this translates in shorter lead times and greater flexibility in manufacturing and logistics.



Watch our video: Ensto's world-class manufacturing benefits customers in many ways





Production in Tallinn, Estonia

- 9,000 m² of floor space
- 24 injection moulding machines, with 50 to 1,000 t of clamping force
- Robot cells and CNC machines for customization
- Integration services and contract manufacturing of industrial housings

Production in Porvoo, Finland

- Factory opened in 1974
- Production of panel heaters, terminals and connectors
- CNC-machining and surface treatment technology



Thermoplastic enclosures

Ensto Cubo thermoplastic enclosures are manufactured in high-quality halogen-free and recyclable polycarbonate or ABS plastics. Although plastic is much lighter than steel, it has very high impact-resistance. In addition, any dents or bumps are not as noticeable in plastic as they would be with steel. Both machining and maintenance of our thermoplastic enclosures is easy, and no special tools are needed.

Benefits of using our solutions



Greater material thickness

Our thermoplastic enclosures have a greater material thickness than similar products in the market. This aids in such operations as the machining of threads and usage of push buttons, as the material is more rigid.



Fibreglass-reinforced bases

The bases of our enclosures with knockouts are reinforced with fibreglass, increasing the rigidity of the enclosure walls and making it easier to knock out the cable entries.



Cost-efficient mold modifications

We have a modular tooling structure that enables cost-efficient modification of molds. This brings special cost-effectiveness to making of customer-specific holes and cutouts in a large series of enclosures. It also eliminates the risk for machining errors.



Lightweight products

The enclosures are low in weight, which brings cost savings to their transportation and makes installation easier.

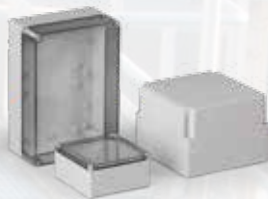


Durability and easy maintenance

Thanks to the properties of plastics, Ensto enclosures are corrosion-free, and they are easy to maintain and clean, since there is no need for repainting – even if they have become scratched. The use of non-conductive material also improves the safety of your operations.



Range comparison



Ensto Cubo S enclosures, IP66 and IP67

- Sizes: 75 x 125 x 35 to 175 x 250 x 150 mm
- Available with plain sides or knockouts (metric or Pg)
- Cover and cover screws equipped with sealing holes
- Slots in the base for printed circuit boards



Ensto Cubo D enclosures, IP66 and IP67

- Sizes: 53 x 55 x 36 to 230 x 300 x 111 mm
- Available with plain sides
- Contemporary design with faceted corners and cover plugs
- Fastening pods inside the cover included
- Slots in the base for printed circuit boards



Ensto Cubo O enclosures, IP66 and IP67

- Sizes: 200 x 200 x 132 to 400 x 600 x 187 mm
- Available with plain sides or with metric knockouts
- 55-millimeter-deep extension frame available for alternative depths in all sizes
- Cover and cover screws equipped with sealing holes
- Cover that can also be mounted on the back of the base



Ensto Cubo C enclosures, IP66 and IP67

- Sizes: 200 x 200 x 132 to 400 x 600 x 187 mm
- Available with flange knockouts
- Cover that can be mounted on the back of the base
- 55-millimeter-deep extension frame available for alternative depths in all sizes
- Covers and cover screws equipped with sealing holes
- A products based on the Ensto Cubo O enclosure series



Ensto Cubo W wall cabinets, IP66 and IP67

- Sizes: 200 x 200 x 132 to 400 x 600 x 187 mm
- Available with plain sides
- Pre-assembled hinges and quick-release latches as standard
- A product based on the Ensto Cubo O enclosure series



Ensto Modulo distribution enclosures, IP65

- Sizes: 166 x 231 x 113 to 418 x 586 x 148 mm
- Available in 9 sizes, capacity for 4 to 54 modules
- Factory installed DIN-rails, earth and neutral bars
- Factory made metric knockouts from M20 to M40

Ensto Cubo S enclosures

IP66 and IP67

Sizes 75 x 125 x 35 to 175 x 250 x 150 mm



Ensto Cubo S enclosure in brief:

- Available with plain sides or knockouts (metric or Pg)
- Available in 36 sizes, two base depths (25 and 50 mm) and 5 different cover heights
- Cover and cover screws equipped with sealing holes
- Slots in the base for printed circuit boards

Contents of the product package:

- Enclosure base
- Cover
- Cover screws
- Mounting screws

Further information

- Service offering, page 12–13
- Common enclosure accessories, page 42–46
- Product cards, dimensional drawings and 3D models can be found at ensto.com.

Conformity	
PC enclosures:	CE <small>RoHS</small> (F) (U) c (U) (L) (G) (C)
ABS enclosures:	CE <small>RoHS</small> (F) (C)
Technical information	
Degree of protection:	IP66 and IP67
Impact resistance:	PC: IK08 (-25 °C... +35 °C) ABS: IK07 (+35 °C)/IK06 (-25 °C)
Operating temperature:	PC: -40 °C ... +80 °C ABS: -20 °C ... +60 °C
Short term temperature range:	PC: -40 °C... +120 °C ABS: -20 °C ... +120 °C
Flammability rating:	PC: UL 746C 5 inch flame ABS: UL 94 HB
UL File no:	E189312
UL category:	NITW, NITW7
Environmental type (UL):	4, 4X, 12, 13, 6
Environmental type (cUL):	4, 4X, 12, 6
Outdoor suitability:	PC: UL 746C f1 rated material
Insulation:	Class II
Material	
Base:	ABS or fibreglass reinforced polycarbonate
Cover:	ABS or polycarbonate
Cover screws:	Fibreglass reinforced polyamide
Gasket:	PUR (polyurethane)
Enclosure side types	
PC enclosures:	Plain sides, metric knockouts or Pg knockouts
ABS enclosures:	Plain sides
Standard color	
Base:	Grey RAL 7035
Cover:	Grey RAL 7035 or transparent



The enclosure has unique slots in the base for printed circuit boards.



The cover can be sealed.



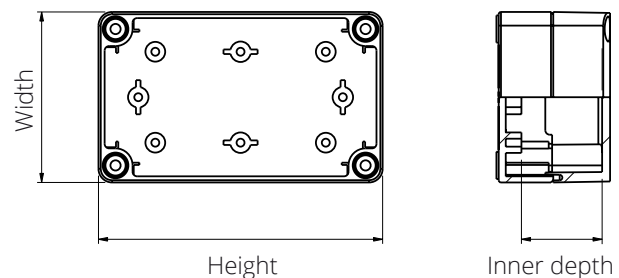
Enclosure with a low (10 mm) cover and a low (25 mm) base.



This enclosure is equipped with hinges (DSH1), cover plugs and wing head parts (SLW1).

Dimensions

You can find the following dimensions on the product tables. More information, product cards, dimensional drawings and 3D models can be found at ensto.com.



Ensto Cubo S enclosures with plain sides

Width (mm)	Height (mm)	Depth (mm)	Inner depth (mm)	Base depth (mm)	Cover depth (mm)	Polycarbonate grey cover (product code, GTIN-13)	Polycarbonate transparent cover (product code, GTIN-13)	ABS grey cover (product code, GTIN-13)	ABS transparent cover (product code, GTIN-13)	UL-listed polycarbonate grey cover (product code, GTIN-13)	UL-listed polycarbonate transparent cover (product code, GTIN-13)		
75	125	35	20.5	25	10	SPCP081304LG 6438100101299	SPCP081304LT 6438100101305	SABP081304LG 6438100101312	SABP081304LT 6438100101329	SPCP081304L.G.U 6438100115814	SPCP081304LT.U 6438100116170		
		50	35.5	25	25	SPCP081305LG 6438100101336	SPCP081305LT 6438100101343	SABP081305LG 6438100101350	SABP081305LT 6438100101367	SPCP081305L.G.U 6438100115821	SPCP081305LT.U 6438100116187		
		60	45.5	50	10	SPCP081306G 6438100101374	SPCP081306T 6438100101381	SABP081306G 6438100101398	SABP081306T 6438100101404	SPCP081306G.U 6438100115838	SPCP081306T.U 6438100116194		
		75	60.5	25	50	SPCP081308LG 6438100101459	SPCP081308LT 6438100101466	SABP081308LG 6438100101473	SABP081308LT 6438100101480	SPCP081308L.G.U 6438100115852	SPCP081308LT.U 6438100116200		
		75	60.5	50	25	SPCP081308G 6418677155031	SPCP081308T 6418677155024	SABP081308G 6418677155048	SABP081308T 6418677155055	SPCP081308G.U 6438100115845	SPCP081308T.U 6438100116217		
		100	85.5	25	75	SPCP081310LG 6438100101497	SPCP081310LT 6438100101503	SABP081310LG 6438100101510	SABP081310LT 6438100101527	SPCP081310L.G.U 6438100115876	SPCP081310LT.U 6438100116224		
		100	85.5	50	50	SPCP081310G 6418677155086	SPCP081310T 6418677155093	SABP081310G 6418677155109	SABP081310T 6418677155116	SPCP081310G.U 6438100115869	SPCP081310T.U 6438100116231		
		125	110.5	50	75	SPCP081313G 6418677155147	SPCP081313T 6418677155154	SABP081313G 6418677155161	SABP081313T 6418677155178	SPCP081313G.U 6438100115883	SPCP081313T.U 6438100116248		
100	100	35	20.5	25	10	SPCP101004LG 6438100101534	SPCP101004LT 6438100101541	SABP101004LG 6438100101558	SABP101004LT 6438100101565	SPCP101004L.G.U 6438100115890	SPCP101004LT.U 6438100116255		
		60	45.5	50	10	SPCP101006G 6438100101619	SPCP101006T 6438100101626	SABP101006G 6438100101633	SABP101006T 6438100101640	SPCP101006G.U 6438100115906	SPCP101006T.U 6438100116262		
125	125	35	20.5	25	10	SPCP131304LG 6438100101671	SPCP131304LT 6438100101688	SABP131304LG 6438100101695	SABP131304LT 6438100101701	SPCP131304L.G.U 6438100115913	SPCP131304LT.U 6438100116279		
		50	35.5	25	25	SPCP131305LG 6438100101718	SPCP131305LT 6438100101725	SABP131305LG 6438100101732	SABP131305LT 6438100101749	SPCP131305L.G.U 6438100115920	SPCP131305LT.U 6438100116286		
		60	45.5	50	10	SPCP131306G 6438100101756	SPCP131306T 6438100101763	SABP131306G 6438100101770	SABP131306T 6438100101787	SPCP131306G.U 6438100115937	SPCP131306T.U 6438100116293		
		75	60.5	25	50	SPCP131308LG 6438100101817	SPCP131308LT 6438100101824	SABP131308LG 6438100101831	SABP131308LT 6438100101848	SPCP131308L.G.U 6438100115944	SPCP131308LT.U 6438100116316		
		75	60.5	50	25	SPCP131308G 6418677155208	SPCP131308T 6418677155215	SABP131308G 6418677155222	SABP131308T 6418677155239	SPCP131308G.U 6438100115951	SPCP131308T.U 6438100116309		
		100	85.5	25	75	SPCP131310LG 6438100101855	SPCP131310LT 6438100101862	SABP131310LG 6438100101879	SABP131310LT 6438100101886	SPCP131310L.G.U 6438100115968	SPCP131310LT.U 6438100116330		
		100	85.5	50	50	SPCP131310G 6418677155260	SPCP131310T 6418677155277	SABP131310G 6418677155284	SABP131310T 6418677155291	SPCP131310G.U 6438100115975	SPCP131310T.U 6438100116323		
		125	110.5	50	75	SPCP131313G 6418677155321	SPCP131313T 6418677155338	SABP131313G 6418677155345	SABP131313T 6418677155352	SPCP131313G.U 6438100115982	SPCP131313T.U 6438100116347		
		175	125	35	20.5	25	10	SPCP131804LG 6438100101893	SPCP131804LT 6438100101909	SABP131804LG 6438100101916	SABP131804LT 6438100101923	SPCP131804L.G.U 6438100115999	SPCP131804LT.U 6438100116354
				50	35.5	25	25	SPCP131805LG 6438100101930	SPCP131805LT 6438100101947	SABP131805LG 6438100101954	SABP131805LT 6438100101961	SPCP131805L.G.U 6438100116002	SPCP131805LT.U 6438100116361
	60			45.5	50	10	SPCP131806G 6438100101978	SPCP131806T 6438100101985	SABP131806G 6438100101992	SABP131806T 6438100102005	SPCP131806G.U 6438100116019	SPCP131806T.U 6438100116378	
	75			60.5	25	50	SPCP131808LG 6438100102050	SPCP131808LT 6438100102067	SABP131808LG 6438100102074	SABP131808LT 6438100102081	SPCP131808L.G.U 6438100116033	SPCP131808LT.U 6438100116385	
	75			60.5	50	25	SPCP131808G 6418677155383	SPCP131808T 6418677155390	SABP131808G 6418677155406	SABP131808T 6418677155413	SPCP131808G.U 6438100116026	SPCP131808T.U 6438100116392	
	100			85.5	25	75	SPCP131810LG 6438100102098	SPCP131810LT 6438100102104	SABP131810LG 6438100102111	SABP131810LT 6438100102128	SPCP131810L.G.U 6438100116057	SPCP131810LT.U 6438100116408	
	100			85.5	50	50	SPCP131810G 6418677155444	SPCP131810T 6418677155451	SABP131810G 6418677155468	SABP131810T 6418677155475	SPCP131810G.U 6438100116040	SPCP131810T.U 6438100116415	
	125			110.5	25	100	SPCP131813LG 6438100102135	SPCP131813LT 6438100102142	SABP131813LG 6438100102159	SABP131813LT 6438100102166	SPCP131813L.G.U 6438100116064	SPCP131813LT.U 6438100116422	
	125			110.5	50	75	SPCP131813G 6418677155505	SPCP131813T 6418677155512	SABP131813G 6418677155529	SABP131813T 6418677155536	SPCP131813G.U 6438100116071	SPCP131813T.U 6438100116439	
	150			135.5	50	100	SPCP131815G 6418677155567	SPCP131815T 6418677155574	SABP131815G 6418677155581	SABP131815T 6418677155598	SPCP131815G.U 6438100116088	SPCP131815T.U 6438100116446	
	175	175	125	110.5	50	75	SPCP132513G 6438100104696	SPCP132513T 6438100104702	SABP132513G 6438100104719	SABP132513T 6438100104726	SPCP132513G.U 6438100116095	SPCP132513T.U 6438100116453	
			75	60.5	50	25	SPCP181808G 6418677155628	SPCP181808T 6418677155635	SABP181808G 6418677155642	SABP181808T 6418677155659	SPCP181808G.U 6438100116101	SPCP181808T.U 6438100116477	
100			85.5	50	50	SPCP181810G 6418677155680	SPCP181810T 6418677155697	SABP181810G 6418677155703	SABP181810T 6418677155710	SPCP181810G.U 6438100116118	SPCP181810T.U 6438100116484		
125			110.5	50	75	SPCP181813G 6418677155741	SPCP181813T 6418677155758	SABP181813G 6418677155765	SABP181813T 6418677155772	SPCP181813G.U 6438100116125	SPCP181813T.U 6438100116460		
250		175	150	135.5	50	100	SPCP181815G 6418677155802	SPCP181815T 6418677155819	SABP181815G 6418677155826	SABP181815T 6418677155833	SPCP181815G.U 6438100116132	SPCP181815T.U 6438100116491	
			75	60.5	50	25	SPCP182508G 6418677155864	SPCP182508T 6418677155871	SABP182508G 6418677155888	SABP182508T 6418677155895	SPCP182508G.U 6438100116149	SPCP182508T.U 6438100116507	
			100	85.5	50	50	SPCP182510G 6418677155925	SPCP182510T 6418677155932	SABP182510G 6418677155949	SABP182510T 6418677155956	SPCP182510G.U 6438100116156	SPCP182510T.U 6438100116514	
			150	135.5	50	100	SPCP182515G 6418677155987	SPCP182515T 6418677155994	SABP182515G 6418677156007	SABP182515T 6418677156014	SPCP182515G.U 6438100116163	SPCP182515T.U 6438100116521	



SPCP131304LG



SPCP131813G



SPCP131308T



SPCP182515T

Ensto Cubo S enclosures with metric knockouts, polycarbonate

Width (mm)	Height (mm)	Depth (mm)	Inner depth (mm)	Base depth (mm)	Cover depth (mm)	Polycarbonate grey cover metric knockouts (product code, GTIN-13)	Polycarbonate transparent cover metric knockouts (product code, GTIN-13)	UL-listed polycarbonate grey cover metric knockouts (product code, GTIN-13)	UL-listed polycarbonate transparent cover metric knockouts (product code, GTIN-13)	
75	125	60	45.5	50	10	SPCM081306G ⁽¹⁾ 6438100101411	SPCM081306T ⁽¹⁾ 6438100101428	SPCM081306G.U ⁽¹⁾ 6438100115371	SPCM081306T.U ⁽¹⁾ 6438100115593	
		75	60.5	50	25	SPCM081308G ⁽¹⁾ 6418677166358	SPCM081308T ⁽¹⁾ 6418677166525	SPCM081308G.U ⁽¹⁾ 6438100115388	SPCM081308T.U ⁽¹⁾ 6438100115609	
		100	85.5	50	50	SPCM081310G ⁽¹⁾ 6418677166365	SPCM081310T ⁽¹⁾ 6418677166532	SPCM081310G.U ⁽¹⁾ 6438100115395	SPCM081310T.U ⁽¹⁾ 6438100115616	
		125	110.5	50	75	SPCM081313G ⁽¹⁾ 6418677166372	SPCM081313T ⁽¹⁾ 6418677166549	SPCM081313G.U ⁽¹⁾ 6438100115401	SPCM081313T.U ⁽¹⁾ 6438100115623	
100	100	60	45.5	50	10	SPCM101006G ⁽²⁾ 6438100101657	SPCM101006T ⁽²⁾ 6438100101664	SPCM101006G.U ⁽²⁾ 6438100115418	SPCM101006T.U ⁽²⁾ 6438100115630	
125	125	60	45.5	50	10	SPCM131306G ⁽³⁾ 6438100100445	SPCM131306T ⁽³⁾ 6438100100452	SPCM131306G.U ⁽³⁾ 6438100115425	SPCM131306T.U ⁽³⁾ 6438100115647	
		75	60.5	50	25	SPCM131308G ⁽³⁾ 6418677166389	SPCM131308T ⁽³⁾ 6418677166556	SPCM131308G.U ⁽³⁾ 6438100115432	SPCM131308T.U ⁽³⁾ 6438100115654	
		100	85.5	50	50	SPCM131310G ⁽³⁾ 6418677166396	SPCM131310T ⁽³⁾ 6418677166563	SPCM131310G.U ⁽³⁾ 6438100115449	SPCM131310T.U ⁽³⁾ 6438100115661	
		125	110.5	50	75	SPCM131313G ⁽³⁾ 6418677166402	SPCM131313T ⁽³⁾ 6418677166570	SPCM131313G.U ⁽³⁾ 6438100115456	SPCM131313T.U ⁽³⁾ 6438100115678	
	175	60	45.5	50	10	SPCM131806G ⁽⁴⁾ 6438100102012	SPCM131806T ⁽⁴⁾ 6438100102029	SPCM131806G.U ⁽⁴⁾ 6438100115463	SPCM131806T.U ⁽⁴⁾ 6438100115685	
		75	60.5	50	25	SPCM131808G ⁽⁴⁾ 6418677166419	SPCM131808T ⁽⁴⁾ 6418677166587	SPCM131808G.U ⁽⁴⁾ 6438100115470	SPCM131808T.U ⁽⁴⁾ 6438100115692	
		100	85.5	50	50	SPCM131810G ⁽⁴⁾ 6418677166426	SPCM131810T ⁽⁴⁾ 6418677166594	SPCM131810G.U ⁽⁴⁾ 6438100115487	SPCM131810T.U ⁽⁴⁾ 6438100115708	
		125	110.5	50	75	SPCM131813G ⁽⁴⁾ 6418677166433	SPCM131813T ⁽⁴⁾ 6418677166600	SPCM131813G.U ⁽⁴⁾ 6438100115494	SPCM131813T.U ⁽⁴⁾ 6438100115715	
	250	150	135.5	50	100	SPCM131815G ⁽⁴⁾ 6418677166440	SPCM131815T ⁽⁴⁾ 6418677166617	SPCM131815G.U ⁽⁴⁾ 6438100115500	SPCM131815T.U ⁽⁴⁾ 6438100115722	
		125	110.5	50	75	SPCM132513G ⁽¹²⁾ 6438100104733	SPCM132513T ⁽¹²⁾ 6438100104740	SPCM132513G.U ⁽¹²⁾ 6438100115517	SPCM132513T.U ⁽¹²⁾ 6438100115739	
		175	75	60.5	50	25	SPCM181808G ⁽⁵⁾ 6418677166457	SPCM181808T ⁽⁵⁾ 6418677166624	SPCM181808G.U ⁽⁵⁾ 6438100115524	SPCM181808T.U ⁽⁵⁾ 6438100115746
			100	85.5	50	50	SPCM181810G ⁽⁵⁾ 6418677166464	SPCM181810T ⁽⁵⁾ 6418677166631	SPCM181810G.U ⁽⁵⁾ 6438100115531	SPCM181810T.U ⁽⁵⁾ 6438100115753
175	175	125	110.5	50	75	SPCM181813G ⁽⁵⁾ 6418677166471	SPCM181813T ⁽⁵⁾ 6418677166648	SPCM181813G.U ⁽⁵⁾ 6438100115548	SPCM181813T.U ⁽⁵⁾ 6438100115760	
		150	135.5	50	100	SPCM181815G ⁽⁵⁾ 6418677166488	SPCM181815T ⁽⁵⁾ 6418677166655	SPCM181815G.U ⁽⁵⁾ 6438100115555	SPCM181815T.U ⁽⁵⁾ 6438100115777	
		250	75	60.5	50	25	SPCM182508G ⁽⁶⁾ 6418677166495	SPCM182508T ⁽⁶⁾ 6418677166662	SPCM182508G.U ⁽⁶⁾ 6438100115562	SPCM182508T.U ⁽⁶⁾ 6438100115784
			100	85.5	50	50	SPCM182510G ⁽⁶⁾ 6418677166501	SPCM182510T ⁽⁶⁾ 6418677166679	SPCM182510G.U ⁽⁶⁾ 6438100115579	SPCM182510T.U ⁽⁶⁾ 6438100115791
	250	150	135.5	50	100	SPCM182515G ⁽⁶⁾ 6418677166518	SPCM182515T ⁽⁶⁾ 6418677166686	SPCM182515G.U ⁽⁶⁾ 6438100115586	SPCM182515T.U ⁽⁶⁾ 6438100115807	

¹⁾ 2 x M16/25 + 6 x M12/20 knockouts

²⁾ 2 x M16/25 + 4 x M12/20 knockouts

³⁾ 4 x M16/25 + 6 x M12/20 knockouts

⁴⁾ 4 x M16/25 + 8 x M12/20 knockouts

¹²⁾ 4 x M20/25 knockouts

⁵⁾ 4 x M12/20 + 4 x M16/25 + 10 x M12/20 knockouts

⁶⁾ 4 x M12/20 + 4 x M16/25 + 12 x M12/20 knockouts

Mounting plates and DIN rails

Product code	Description	Dimensions (mm)	Package size (pcs)	GTIN-13
Mounting plates, galvanized steel				
SMP0813	For 75 x 125 mm enclosures	48 x 98 x 1.5	10	6418677156038
SMP1010	For 100 x 100 mm enclosures	78 x 78 x 1.5	10	6438100104849
SMP1313	For 125 x 125 mm enclosures	98 x 98 x 1.5	10	6418677156045
SMP1318	For 125 x 175 mm enclosures	98 x 148 x 1.5	10	6418677156052
SMP1325	For 125 x 250 mm enclosures	98 x 223 x 1.5	10	6438100104535
SMP1818	For 175 x 175 mm enclosures	148 x 148 x 1.5	10	6418677156069
SMP1825	For 175 x 250 mm enclosures	148 x 223 x 1.5	10	6418677156076
DIN rails, DIN 46277/3, galvanized steel				
DR35040.4	For 75 mm sides	35 x 50	10	6418677156090
DR35070.4	For 100 mm sides	35 x 80	10	6438100104450
DR35090.4	For 125 mm sides	35 x 100	10	6418677156106
DR35140.4	For 175 mm sides	35 x 150	10	6418677156113
DR35215.4	For 250 mm sides	35 x 225	10	6418677156120



SMP0813

Ensto Cubo S enclosures with Pg knockouts, polycarbonate

Width (mm)	Height (mm)	Depth (mm)	Inner depth (mm)	Base depth (mm)	Cover depth (mm)	Polycarbonate grey cover Pg knockouts (product code, GTIN-13)	Polycarbonate transparent cover Pg knockouts (product code, GTIN-13)	UL-listed polycarbonate grey cover Pg knockouts (product code, GTIN-13)	UL-listed polycarbonate transparent cover Pg knockouts (product code, GTIN-13)	
75	125	60	45.5	50	10	SPCK081306G ⁽⁷⁾ 6438100101435	SPCK081306T ⁽⁷⁾ 6438100101442	SPCK081306G.U ⁽⁷⁾ 6438100114978	SPCK081306T.U ⁽⁷⁾ 6438100115173	
		75	60.5	50	25	SPCK081308G ⁽⁷⁾ 6418677155000	SPCK081308T ⁽⁷⁾ 6418677155017	SPCK081308G.U ⁽⁷⁾ 6438100114985	SPCK081308T.U ⁽⁷⁾ 6438100115180	
		100	85.5	50	50	SPCK081310G ⁽⁷⁾ 6418677155062	SPCK081310T ⁽⁷⁾ 6418677155079	SPCK081310G.U ⁽⁷⁾ 6438100114992	SPCK081310T.U ⁽⁷⁾ 6438100115197	
		125	110.5	50	75	SPCK081313G ⁽⁷⁾ 6418677155123	SPCK081313T ⁽⁷⁾ 6418677155130	SPCK081313G.U ⁽⁷⁾ 6438100115005	SPCK081313T.U ⁽⁷⁾ 6438100115203	
125	125	60	45.5	50	10	SPCK131306G ⁽⁸⁾ 6438100101794	SPCK131306T ⁽⁸⁾ 6438100101800	SPCK131306G.U ⁽⁸⁾ 6438100115012	SPCK131306T.U ⁽⁸⁾ 6438100115210	
		75	60.5	50	25	SPCK131308G ⁽⁸⁾ 6418677155185	SPCK131308T ⁽⁸⁾ 6418677155192	SPCK131308G.U ⁽⁸⁾ 6438100115029	SPCK131308T.U ⁽⁸⁾ 6438100115227	
		100	85.5	50	50	SPCK131310G ⁽⁸⁾ 6418677155246	SPCK131310T ⁽⁸⁾ 6418677155253	SPCK131310G.U ⁽⁸⁾ 6438100115036	SPCK131310T.U ⁽⁸⁾ 6438100115234	
		125	110.5	50	75	SPCK131313G ⁽⁸⁾ 6418677155307	SPCK131313T ⁽⁸⁾ 6418677155314	SPCK131313G.U ⁽⁸⁾ 6438100115043	SPCK131313T.U ⁽⁸⁾ 6438100115241	
	175	60	45.5	50	10	SPCK131806G ⁽⁹⁾ 6438100102036	SPCK131806T ⁽⁹⁾ 6438100102043	SPCK131806G.U ⁽⁹⁾ 6438100115050	SPCK131806T.U ⁽⁹⁾ 6438100115258	
		75	60.5	50	25	SPCK131808G ⁽⁹⁾ 6418677155369	SPCK131808T ⁽⁹⁾ 6418677155376	SPCK131808G.U ⁽⁹⁾ 6438100115067	SPCK131808T.U ⁽⁹⁾ 6438100115265	
		100	85.5	50	50	SPCK131810G ⁽⁹⁾ 6418677155420	SPCK131810T ⁽⁹⁾ 6418677155437	SPCK131810G.U ⁽⁹⁾ 6438100115074	SPCK131810T.U ⁽⁹⁾ 6438100115272	
		125	110.5	50	75	SPCK131813G ⁽⁹⁾ 6418677155482	SPCK131813T ⁽⁹⁾ 6418677155499	SPCK131813G.U ⁽⁹⁾ 6438100115081	SPCK131813T.U ⁽⁹⁾ 6438100115289	
	175	175	150	135.5	50	100	SPCK131815G ⁽⁹⁾ 6418677155543	SPCK131815T ⁽⁹⁾ 6418677155550	SPCK131815G.U ⁽⁹⁾ 6438100115098	SPCK131815T.U ⁽⁹⁾ 6438100115296
			75	60.5	50	25	SPCK181808G ⁽¹⁰⁾ 6418677155604	SPCK181808T ⁽¹⁰⁾ 6418677155611	SPCK181808G.U ⁽¹⁰⁾ 6438100115104	SPCK181808T.U ⁽¹⁰⁾ 6438100115302
			100	85.5	50	50	SPCK181810G ⁽¹⁰⁾ 6418677155666	SPCK181810T ⁽¹⁰⁾ 6418677155673	SPCK181810G.U ⁽¹⁰⁾ 6438100115111	SPCK181810T.U ⁽¹⁰⁾ 6438100115319
			125	110.5	50	75	SPCK181813G ⁽¹⁰⁾ 6418677155727	SPCK181813T ⁽¹⁰⁾ 6418677155734	SPCK181813G.U ⁽¹⁰⁾ 6438100115128	SPCK181813T.U ⁽¹⁰⁾ 6438100115326
175	250	150	135.5	50	100	SPCK181815G ⁽¹⁰⁾ 6418677155789	SPCK181815T ⁽¹⁰⁾ 6418677155796	SPCK181815G.U ⁽¹⁰⁾ 6438100115135	SPCK181815T.U ⁽¹⁰⁾ 6438100115333	
		75	60.5	50	25	SPCK182508G ⁽¹¹⁾ 6418677155840	SPCK182508T ⁽¹¹⁾ 6418677155857	SPCK182508G.U ⁽¹¹⁾ 6438100115142	SPCK182508T.U ⁽¹¹⁾ 6438100115340	
		100	85.5	50	50	SPCK182510G ⁽¹¹⁾ 6418677155901	SPCK182510T ⁽¹¹⁾ 6418677155918	SPCK182510G.U ⁽¹¹⁾ 6438100115159	SPCK182510T.U ⁽¹¹⁾ 6438100115357	
		150	135.5	50	100	SPCK182515G ⁽¹¹⁾ 6418677155963	SPCK182515T ⁽¹¹⁾ 6418677155970	SPCK182515G.U ⁽¹¹⁾ 6438100115166	SPCK182515T.U ⁽¹¹⁾ 6438100115364	

⁽⁷⁾ 2 x Pg9/13.5 + 6 x Pg9/13.5 knockouts

⁽⁸⁾ 4 x Pg16/21 + 6 x Pg9/13.5 knockouts

⁽⁹⁾ 4 x Pg16/21 + 8 x Pg9/13.5 knockouts

⁽¹⁰⁾ 4 x Pg16/21 + 4 x Pg9/16 + 10 x Pg9/13.5 knockouts

⁽¹¹⁾ 4 x Pg16/21 + 4 x Pg9/16 + 12 x Pg9/13.5 knockouts

Other accessories

Product code	Description	Dimensions (mm)	Package size (pcs)	GTIN-13
DSH1	Hinge, pair, polycarbonate	28 x 28	1	6418677156144
SFL1	Fastening lug, set of 4 pcs, polycarbonate	15 x 30	1	6418677156151
SBI1	Insert for pods, brass	M2	50	6418677156168
SBI1.04	Insert, set of 4 pcs	M2	1	6418677156830
SBS40	Spacer, 40 mm, for panels	7 x 48	12	6438100086022
SMS1	Mounting screw for plates and rails, steel	4 x 8	100	6418677156175
SCP08	Cover plug, short, for 25 mm cover	ø11 x 12	10	6418677156847
SCP10	Cover plug, long, for 50 mm cover	ø12 x 36.5	10	6418677156854
SCP1315	Cover plug, short, for 75 and 100 mm covers	ø11.5 x 12	10	6418677156861
SLS35	Cover screw, medium	11 x 35	100	6418677156182
SLS60	Cover screw, long, for 50 mm covers	11 x 60	50	6418677156199
SLSA23.04	Screw set, Includes 4 short cover screws for 10 mm cover and 4 mounting screws SMS1	11 x 23	1	6438100100407
SLSA35.04	Screw set, Includes 4 medium cover screws SLS35 and 4 mounting screws SMS1	11 x 35	1	6418677154980
SLSA60.04	Screw set, Includes 4 long cover screws for 50 mm cover SLS60 and 4 mounting screws SMS1	11 x 60	1	6418677154997
SLW1	Cover screw's wing head part, only for 25 and 50 mm covers	11 x 17	10	6418677154867



Hinge pair, DSH1.

Ensto Cubo D enclosures IP66 and 67

Sizes 53 x 55 x 36 to 230 x 300 x 111 mm



Ensto Cubo D enclosure in brief:

- Available with plain sides
- Contemporary design with faceted corners and cover plugs
- Includes fastening pods inside the cover
- Slots in the base for printed circuit boards

Contents of the product package:

- Enclosure base
- Cover
- Cover screws
- Mounting screws
- Cover plugs for cover screws

Further information

- Service offering, page 12–13
- Common enclosure accessories, page 42–46
- Product cards, dimensional drawings and 3D models can be found at ensto.com.



Ensto Cubo D enclosures include fastening pods inside the cover.

This enclosure is equipped with hinges (DSH11) and fastening lugs (DFL1).

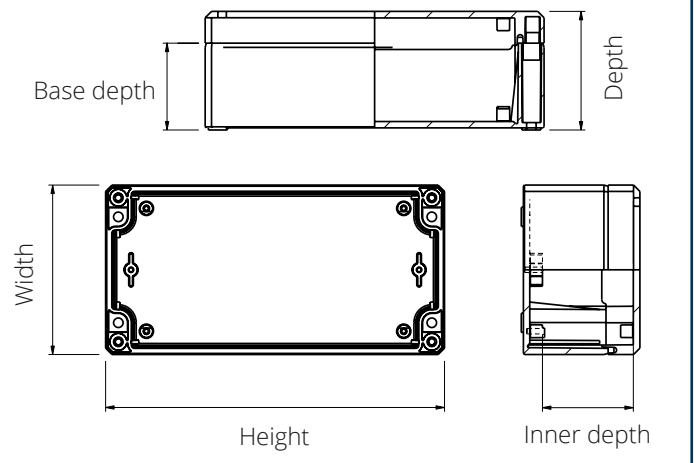
Conformity	
PC enclosures:	CE <small>ROHS</small> FI UL <small>eUL</small> GL PC
ABS enclosures:	CE <small>ROHS</small> FI PC
Technical information	
Degree of protection:	IP66 and IP67
Impact resistance:	PC: IK08 (-25 °C... +35 °C) ABS: IK07 (+35 °C)/IK06 (-25 °C)
Operating temperature:	PC: -40 °C ... +80 °C ABS: -20 °C ... +60 °C
Short term temperature range:	PC: -40 °C... +120 °C ABS: -20 °C ... +120 °C
Flammability rating:	PC: UL 746C 5 inch flame ABS: UL 94 HB
UL File no:	E189312
UL category:	NITW, NITW7
Environmental type (UL):	4, 4X, 12, 13, 6
Outdoor suitability:	PC: UL 746C f1 rated material
Insulation:	Class II
Material	
Base/cover:	Polycarbonate or ABS
Cover screws:	Stainless steel
Gasket:	PUR (polyurethane)
Enclosure side types	
PC and ABS enclosures:	Plain sides
Standard color	
Base:	Grey RAL 7035
Cover:	Grey RAL 7035 or transparent



Ensto Cubo D enclosures have a modern design with faceted corners and cover plugs.

Dimensions

You can find the following dimensions on the product tables. More information, product cards, dimensional drawings and 3D models can be found at ensto.com.



Ensto Cubo D enclosures with plain sides

Width (mm)	Height (mm)	Depth (mm)	Base depth (mm)	Inner depth (mm)	Polycarbonate grey cover (Product code, GTIN-13)	Polycarbonate transparent cover (Product code, GTIN-13)	ABS grey cover (Product code, GTIN-13)	ABS transparent cover (Product code, GTIN-13)	UL -listed polycarbonate grey cover (Product code, GTIN-13)	UL -listed Polycarbonate transparent cover (Product code, GTIN-13)	
53	55	36	26	27.5	DPCP050504G 6418677150005	DPCP050504T 6418677150012	DABP050504G 6418677150029	DABP050504T 6418677150036	DPCP050504G.U 6438100116538	DPCP050504T.U 6438100116705	
	63	36	26	25.0	DPCP050704G 6418677150043	DPCP050704T 6418677150050	DABP050704G 6418677150067	DABP050704T 6418677150074	DPCP050704G.U 6438100116545	DPCP050704T.U 6438100116712	
80	82	56	41	42.0	DPCP080806G 6418677150081	DPCP080806T 6418677150098	DABP080806G 6418677150104	DABP080806T 6418677150111	DPCP080806G.U 6438100116552	DPCP080806T.U 6438100116729	
		86	71	72.0	DPCP080809G 6418677150128	DPCP080809T 6418677150135	DABP080809G 6418677150142	DABP080809T 6418677150159	DPCP080809G.U 6438100116569	DPCP080809T.U 6438100116736	
	120	56	41	42.0	DPCP081206G 6418677150166	DPCP081206T 6418677150173	DABP081206G 6418677150180	DABP081206T 6418677150197	DPCP081206G.U 6438100116576	DPCP081206T.U 6438100116743	
		86	71	72.0	DPCP081209G 6418677150203	DPCP081209T 6418677150210	DABP081209G 6418677150227	DABP081209T 6418677150234	DPCP081209G.U 6438100116583	DPCP081209T.U 6438100116750	
	160	56	41	42.0	DPCP081606G 6418677150241	DPCP081606T 6418677150258	DABP081606G 6418677150265	DABP081606T 6418677150272	DPCP081606G.U 6438100116590	DPCP081606T.U 6438100116767	
		86	71	72.0	DPCP081609G 6418677150289	DPCP081609T 6418677150296	DABP081609G 6418677150302	DABP081609T 6418677150319	DPCP081609G.U 6438100116606	DPCP081609T.U 6438100116774	
	120	122	56	41	42.0	DPCP121206G 6418677150326	DPCP121206T 6418677150333	DABP121206G 6418677150340	DABP121206T 6418677150357	DPCP121206G.U 6438100116613	DPCP121206T.U 6438100116781
			86	71	72.0	DPCP121209G 6418677150364	DPCP121209T 6418677150371	DABP121209G 6418677150388	DABP121209T 6418677150395	DPCP121209G.U 6438100116620	DPCP121209T.U 6438100116798
160		91	61	77.5	DPCP121609G 6418677150401	DPCP121609T 6418677150418	DABP121609G 6418677150425	DABP121609T 6418677150432	DPCP121609G.U 6438100116637	DPCP121609T.U 6438100116804	
		200	86	71	72.0	DPCP122009G 6418677150487	DPCP122009T 6418677150494	DABP122009G 6418677150500	DABP122009T 6418677150517	DPCP122009G.U 6438100116644	DPCP122009T.U 6438100116811
150	200	76	61	62.0	DPCP152008G 6418677150562	DPCP152008T 6418677150579	DABP152008G 6418677150586	DABP152008T 6418677150593	DPCP152008G.U 6438100116651	DPCP152008T.U 6438100116828	
160	240	91	76	77.5	DPCP162409G 6418677150609	DPCP162409T 6418677150616	DABP162409G 6418677150623	DABP162409T 6418677150630	DPCP162409G.U 6438100116668	DPCP162409T.U 6438100116835	
		121	76	107.5	DPCP162412G 6418677150647	DPCP162412T 6418677150654	DABP162412G 6418677150661	DABP162412T 6418677150678	DPCP162412G.U 6438100116675	DPCP162412T.U 6438100116842	
230	300	86	56	72.5	DPCP233009G 6418677150722	DPCP233009T 6418677150739	DABP233009G 6418677150746	DABP233009T 6418677150753	DPCP233009G.U 6438100116682	DPCP233009T.U 6438100116859	
		111	56	97.5	DPCP233011G 6418677150760	DPCP233011T 6418677150777	DABP233011G 6418677150784	DABP233011T 6418677150791	DPCP233011G.U 6438100116699	DPCP233011T.U 6438100116866	

Mounting plates and DIN rails

Product code	Description	Dimensions (mm)	Package size (pcs)	GTIN-13
Mounting plates, galvanized steel				
DMP0808	For 80 x 82 mm enclosures	55 x 65 x 1.5	10	6418677150821
DMP0812	For 80 x 120 mm enclosures	65 x 93 x 1.5	10	6418677150838
DMP0816	For 80 x 160 mm enclosures	65 x 133 x 1.5	10	6418677150845
DMP1212	For 120 x 122 mm enclosures	95 x 105 x 1.5	10	6418677150852
DMP1216	For 120 x 160 mm enclosures	105 x 132 x 1.5	10	6418677150869
DMP1220	For 120 x 200 mm enclosures	105 x 172 x 1.5	10	6418677150876
DMP1520	For 150 x 200 mm enclosures	133 x 172 x 1.5	10	6418677150890
DMP1624	For 160 x 240 mm enclosures	145 x 213 x 1.5	10	6418677150906
DMP2330	For 230 x 300 mm enclosures	210 x 285 x 1.5	10	6418677150920
DIN rails 15 mm, DIN 46277/3, galvanized steel				
DR15016.4	For 53 x 55 mm enclosures	15 x 26	10	6418677150937
DR15038.4	For 53 x 63 mm enclosures	15 x 48	10	6418677150944
DR15058.4	For 80 x 82 mm enclosures	15 x 68	10	6418677150951
DR15096.4	For 80 x 120 mm and 120 x 122 mm enclosures	15 x 106	10	6418677150975
DR15136.4	For 80 x 160 mm and 120 x 160 mm enclosures	15 x 146	10	6418677150999
DIN rails 35 mm, DIN 46277/3, galvanized steel				
DR35058.4	For 80 x 82 mm enclosures	35 x 68	10	6418677150968
DR35096.4	For 80 x 120 mm and 120 x 122 mm enclosures	35 x 106	10	6418677150982
DR35136.4	For 80 x 160 mm and 120 x 160 mm enclosures	35 x 146	10	6418677151002
DR35160.4	For 150 x 200 mm enclosures	35 x 170	10	6418677151071
DR35176.4	For 120 x 200 mm enclosures	35 x 186	10	6418677151057
DR35215.4	For 160 x 240 mm enclosures	35 x 225	10	6418677151620
DR35275.4	For 230 x 300 mm enclosures	35 x 285	10	6418677151101



DMP0808



Hinge pair, DSHI1.

Other accessories

Product code	Description	Dimensions (mm)	Package size (pcs)	GTIN-13
DSHI1	Hinge pair	28 x 28	1	6418677156144
DFL1	Fastening lug, set of 4	33 x 21 x 9.5	1	6418677151125
DCP1	Cover plug		50	6418677151149
DLS1	Cover screw, short	3 x 18/10	100	6418677151163
DLSA1.02	Screw set, 2 short cover screws DLS1 and 2 mounting screws DMS1 and cover plugs DCP1	3 x 18/10	1	6438100070113
DLSA1.04	Screw set, 4 short cover screws DLS1 and 4 mounting screws DMS1 and cover plugs DCP1	3 x 18/10	1	6418677151293
DLSA1.06	Screw set, 6 short cover screws DLS1 and 4 mounting screws DMS1 and cover plugs DCP1	3 x 50/10	1	6418677151309
DLS2	Cover screw, long, for 162412 and 233011	3 x 50/10	1	6418677151279
DLSA2.06	Screw set, 6 long cover screws DLS2 and 4 mounting screws DMS1	3 x 50/10	1	6438100087692
DLS3	Cover screw, TORX TX20	3 x 18/10	48	6418677151286
DMS1	Mounting screw	3 x 7	100	6418677151156



Fastening lug set, DFL1.

Ensto Cubo O, C and W enclosures, IP66 and 67

Sizes 200 x 200 x 132 to 400 x 600 x 187 mm



Ensto Cubo O, C and W enclosure in brief:

- Ensto Cubo O has plain sides or with metric knockouts
- Ensto Cubo C has flange knockouts
- Ensto Cubo W has pre-assembled hinges and quick release latches as standard, available with plain sides
- Available in 8 base sizes, one base depth and one cover height
- Ensto Cubo O and C have 55-millimeter-deep extension frame available for alternative depths in all sizes. Several extension frames can be used on top of one another in one enclosure.
- Cover and cover screws equipped with sealing holes
- Cover can also be mounted onto the back of the base
- Wide range of accessories available.

Contents of the product package:

132-millimeter-deep standard enclosure includes:

- Enclosure base
- Cover
- Cover screws or latches and hinges
- Mounting screws

187-millimeter-deep standard enclosure includes:

- Enclosure base
- Cover
- Extension frame
- Cover screws or latches and hinges
- Mounting screws
- Screws for the extension frame

Further information

- Service offering, page 12–13
- Common enclosure accessories, page 42–46
- Product cards, dimensional drawings and 3D models can be found at ensto.com.

Conformity	
PC enclosures:	CE <small>RoHS</small> FI UL <small>c-UL</small> GL
ABS enclosures:	CE <small>RoHS</small> FI
Technical information	
Degree of protection:	IP66 and IP67
Impact resistance:	PC: IK08 (-25 °C... +35 °C) ABS: IK08 (+35 °C)/IK07 (-25 °C)
Operating temperature:	PC: -40 °C ... +80 °C ABS: -20 °C ... +60 °C
Short term temperature range:	PC: -40 °C... +120 °C ABS: -20 °C ... +120 °C
Flammability rating:	PC: UL 746C 5 inch flame ABS: UL 94 HB
UL File no:	E189312
UL category:	NITW, NITW7
Environmental type (UL):	4, 4X, 12, 13
Outdoor suitability:	PC: UL 746C f1 rated material
Insulation:	Class II
Material	
Base:	ABS or fibreglass reinforced polycarbonate
Cover:	ABS or polycarbonate
Cover screws:	Fibreglass reinforced polyamide
Gasket:	PUR (polyurethane)
Enclosure side types	
PC enclosures:	Plain sides, metric knockouts
ABS enclosures:	Plain sides
Standard color	
Base:	Grey RAL 7035
Cover:	Grey RAL 7035 or transparent



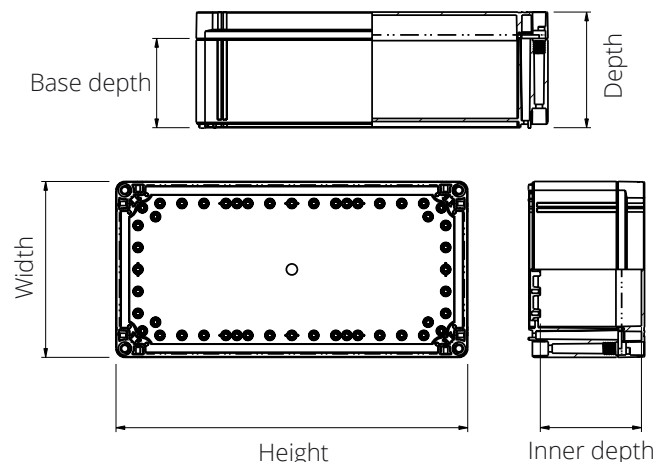
Adjustable elevators are available for the base corner slots allowing the mounting of plates and panels at any height.



It is possible to mount the cover onto the back of the base.

Dimensions

You can find the following dimensions on the product tables. More information, product cards, dimensional drawings and 3D models can be found at ensto.com.



Ensto Cubo O enclosures with plain sides, polycarbonate and ABS

Width (mm)	Height (mm)	Depth (mm)	Base depth (mm)	Inner depth (mm)	Polycarbonate grey cover (product code, GTIN-13)	Polycarbonate transparent cover (product code, GTIN-13)	ABS grey cover (product code, GTIN-13)	ABS transparent cover (product code, GTIN-13)	UL-listed polycarbonate grey cover (product code, GTIN-13)	UL-listed polycarbonate transparent cover (product code, GTIN-13)	
200	200	132	102	115.0	OPCP202013G 6418677184413	OPCP202013T 6418677184345	OABP202013G 6418677184550	OABP202013T 6418677184482	OPCP202013G.U 6438100116873	OPCP202013T.U 6438100117016	
		187	102 + 55*	170.0	OPCP202018G 6418677184628	OPCP202018T 6418677184697	OABP202018G 6418677184765	OABP202018T 6418677184833	OPCP202018G.U 6438100116941	OPCP202018T.U 6438100117085	
	300	132	102	115.0	OPCP203013G 6418677184420	OPCP203013T 6418677184352	OABP203013G 6418677184567	OABP203013T 6418677184499	OPCP203013G.U 6438100117880	OPCP203013T.U 6438100117023	
		187	102 + 55*	170.0	OPCP203018G 6418677184635	OPCP203018T 6418677184703	OABP203018G 6418677184772	OABP203018T 6418677184840	OPCP203018G.U 6438100116958	OPCP203018T.U 6438100117092	
	400	132	102	115.0	OPCP204013G 6418677184437	OPCP204013T 6418677184369	OABP204013G 6418677184574	OABP204013T 6418677184505	OPCP204013G.U 6438100116897	OPCP204013T.U 6438100117030	
		187	102 + 55*	170.0	OPCP204018G 6418677184642	OPCP204018T 6418677184710	OABP204018G 6418677184789	OABP204018T 6418677184857	OPCP204018G.U 6438100116965	OPCP204018T.U 6438100117108	
	300	300	132	102	115.0	OPCP303013G 6418677184444	OPCP303013T 6418677184376	OABP303013G 6418677184581	OABP303013T 6418677184512	OPCP303013G.U 6438100116903	OPCP303013T.U 6438100117047
			187	102 + 55*	170.0	OPCP303018G 6418677184659	OPCP303018T 6418677184727	OABP303018G 6418677184796	OABP303018T 6418677184864	OPCP303018G.U 6438100116972	OPCP303018T.U 6438100117115
400		132	102	115.0	OPCP304013G 6418677184451	OPCP304013T 6418677184383	OABP304013G 6418677184598	OABP304013T 6418677184529	OPCP304013G.U 6438100116910	OPCP304013T.U 6438100117054	
		187	102 + 55*	170.0	OPCP304018G 6418677184666	OPCP304018T 6418677184734	OABP304018G 6418677184802	OABP304018T 6418677184871	OPCP304018G.U 6438100116989	OPCP304018T.U 6438100117122	
600		132	102	115.0	OPCP306013G 6418677184468	OPCP306013T 6418677184390	OABP306013G 6418677184604	OABP306013T 6418677184536	OPCP306013G.U 6438100116927	OPCP306013T.U 6438100117061	
		187	102 + 55*	170.0	OPCP306018G 6418677184673	OPCP306018T 6418677184741	OABP306018G 6418677184819	OABP306018T 6418677184888	OPCP306018G.U 6438100116996	OPCP306018T.U 6438100117139	
400		400	132	102	115.0	OPCP404013G 6438100112813	OPCP404013T 6438100112790	OABP404013G 6438100112851	OABP404013T 6438100112837	OPCP404013G.U 6438100117986	OPCP404013T.U 6438100117962
			187	102 + 55*	170.0	OPCP404018G 6438100112820	OPCP404018T 6438100112806	OABP404018G 6438100112868	OABP404018T 6438100112844	OPCP404018G.U 6438100117955	OPCP404018T.U 6438100117979
	600	132	102	115.0	OPCP406013G 6418677184475	OPCP406013T 6418677184406	OABP406013G 6418677184611	OABP406013T 6418677184543	OPCP406013G.U 6438100116934	OPCP406013T.U 6438100117078	
		187	102 + 55*	170.0	OPCP406018G 6418677184680	OPCP406018T 6418677184758	OABP406018G 6418677184826	OABP406018T 6418677184895	OPCP406018G.U 6438100117009	OPCP406018T.U 6438100117146	

* includes the extension frame

Ensto Cubo O enclosures with metric knock-outs

Width (mm)	Height (mm)	Depth (mm)	Base depth (mm)	Inner depth (mm)	Polycarbonate grey cover (product code, GTIN-13)	Polycarbonate transparent cover (product code, GTIN-13)	UL-listed polycarbonate grey cover (product code, GTIN-13)	UL-listed polycarbonate transparent cover (product code, GTIN-13)
300	300	132	115	115.0	OPCM303013G ⁽¹⁾ 6418677157899	OPCM303013T ⁽¹⁾ 6418677157929	OPCM303013G.U ⁽¹⁾ 6438100117153	OPCM303013T.U ⁽¹⁾ 6438100117214
		187	115 + 55*	170.0	OPCM303018G ⁽²⁾ 6418677157950	OPCM303018T ⁽²⁾ 6418677157981	OPCM303018G.U ⁽²⁾ 6438100117184	OPCM303018T.U ⁽²⁾ 6438100117045
	400	132	115	115.0	OPCM304013G ⁽³⁾ 6418677157905	OPCM304013T ⁽³⁾ 6418677157936	OPCM304013G.U ⁽³⁾ 6438100117160	OPCM304013T.U ⁽³⁾ 6438100117221
		187	115 + 55*	170.0	OPCM304018G ⁽⁴⁾ 6418677157967	OPCM304018T ⁽⁴⁾ 6418677157998	OPCM304018G.U ⁽⁴⁾ 6438100117191	OPCM304018T.U ⁽⁴⁾ 6438100117252
	600	132	115	115.0	OPCM306013G ⁽³⁾ 6418677157912	OPCM306013T ⁽³⁾ 6418677157943	OPCM306013G.U ⁽³⁾ 6438100117177	OPCM306013T.U ⁽³⁾ 6438100117238
		187	115 + 55*	170.0	OPCM306018G ⁽⁴⁾ 6418677157974	OPCM306018T ⁽⁴⁾ 6418677158001	OPCM306018G.U ⁽⁴⁾ 6438100117207	OPCM306018T.U ⁽⁴⁾ 6438100117269

* includes the extension frame

⁽¹⁾ 12 x M20 + 1 x M16/25 + 8 x M20 + 4 x M25/40 knockouts

⁽²⁾ 12 x M20 + 1 x M16/25 + 8 x M20 + 4 x M25/40 knockouts, Includes extension frame

⁽³⁾ 8 x M12/20 + 5 x M16/25 + 12 x M12/20 + 1 x M32/40 knockouts

⁽⁴⁾ 8 x M12/20 + 5 x M16/25 + 12 x M12/20 + 1 x M32/40 knockouts, Includes extension frame



OPCP202013G



OPCP304013T



OPCP203018G



OPCP406018T



OPCM303013G



OPCM304013T



OPCM304018G



OPCM306018T

Ensto Cubo C enclosures with flange knockouts, polycarbonate

Width (mm)	Height (mm)	Depth (mm)	Base depth (mm)	Inner depth (mm)	Polycarbonate grey cover (product code, GTIN-13)	Polycarbonate transparent cover (product code, GTIN-13)	UL-listed polycarbonate grey cover (product code, GTIN-13)	UL-listed polycarbonate transparent cover (product code, GTIN-13)
200	200	132	102	115.0	CPCF202013G ⁽¹⁾ 6418677172120	CPCF202013T ⁽¹⁾ 6418677172199	CPCF202013G.U ⁽¹⁾ 6438100117276	CPCF202013T.U ⁽¹⁾ 6438100117412
		187	102 + 55*	170.0	CPCF202018G ⁽¹⁾ 6418677182167	CPCF202018T ⁽¹⁾ 6418677182235	CPCF202018G.U ⁽¹⁾ 6438100117344	CPCF202018T.U ⁽¹⁾ 6438100117481
	300	132	102	115.0	CPCF203013G ⁽²⁾ 6418677172137	CPCF203013T ⁽²⁾ 6418677172205	CPCF203013G.U ⁽²⁾ 6438100117283	CPCF203013T.U ⁽²⁾ 6438100117429
		187	102 + 55*	170.0	CPCF203018G ⁽²⁾ 6418677182174	CPCF203018T ⁽²⁾ 6418677182242	CPCF203018G.U ⁽²⁾ 6438100117351	CPCF203018T.U ⁽²⁾ 6438100117498
	400	132	102	115.0	CPCF204013G ⁽²⁾ 6418677172144	CPCF204013T ⁽²⁾ 6418677172212	CPCF204013G.U ⁽²⁾ 6438100117290	CPCF204013T.U ⁽²⁾ 6438100117436
		187	102 + 55*	170.0	CPCF204018G ⁽²⁾ 6418677182181	CPCF204018T ⁽²⁾ 6418677182259	CPCF204018G.U ⁽²⁾ 6438100117368	CPCF204018T.U ⁽²⁾ 6438100117504
300	300	132	102	115.0	CPCF303013G ⁽³⁾ 6418677172151	CPCF303013T ⁽³⁾ 6418677172229	CPCF303013G.U ⁽³⁾ 6438100117306	CPCF303013T.U ⁽³⁾ 6438100117443
		187	102 + 55*	170.0	CPCF303018G ⁽³⁾ 6418677182198	CPCF303018T ⁽³⁾ 6418677182266	CPCF303018G.U ⁽³⁾ 6438100117375	CPCF303018T.U ⁽³⁾ 6438100117511
	400	132	102	115.0	CPCF304013G ⁽³⁾ 6418677172168	CPCF304013T ⁽³⁾ 6418677172236	CPCF304013G.U ⁽³⁾ 6438100117313	CPCF304013T.U ⁽³⁾ 6438100117450
		187	102 + 55*	170.0	CPCF304018G ⁽³⁾ 6418677182204	CPCF304018T ⁽³⁾ 6418677182273	CPCF304018G.U ⁽³⁾ 6438100117382	CPCF304018T.U ⁽³⁾ 6438100117528
	600	132	102	115.0	CPCF306013G ⁽⁴⁾ 6418677172175	CPCF306013T ⁽⁴⁾ 6418677172243	CPCF306013G.U ⁽⁴⁾ 6438100117320	CPCF306013T.U ⁽⁴⁾ 6438100117467
		187	102 + 55*	170.0	CPCF306018G ⁽⁴⁾ 6418677182211	CPCF306018T ⁽⁴⁾ 6418677182280	CPCF306018G.U ⁽⁴⁾ 6438100117399	CPCF306018T.U ⁽⁴⁾ 6438100117535
400	400	132	102	115.0	CPCF404013G ⁽³⁾ 6438100112899	CPCF404013T ⁽³⁾ 6438100112875	CPCF404013G.U ⁽³⁾ 6438100117993	CPCF404013T.U ⁽³⁾ 6438100118013
		187	102 + 55*	170.0	CPCF404018G ⁽³⁾ 6438100112905	CPCF404018T ⁽³⁾ 6438100112882	CPCF404018G.U ⁽³⁾ 6438100118006	CPCF404018T.U ⁽³⁾ 6438100118020
	600	132	102	115.0	CPCF406013G ⁽⁴⁾ 6418677172182	CPCF406013T ⁽⁴⁾ 6418677172250	CPCF406013G.U ⁽⁴⁾ 6438100117337	CPCF406013T.U ⁽⁴⁾ 6438100117474
		187	102 + 55*	170.0	CPCF406018G ⁽⁴⁾ 6418677182228	CPCF406018T ⁽⁴⁾ 6418677182297	CPCF406018G.U ⁽⁴⁾ 6438100117405	CPCF406018T.U ⁽⁴⁾ 6438100117542



CPCF202013G



CPCF203018T

⁽¹⁾ Includes the extension frame

⁽¹⁾ 4 x F1 knockouts

⁽²⁾ 2 x F1 knockouts + 2 x F2 knockouts

⁽³⁾ 4 x F2 knockouts

⁽⁴⁾ 6 x F2 knockouts

Ensto Cubo W wall cabinets with hinges and latches, plain sides, polycarbonate

Width (mm)	Height (mm)	Depth (mm)	Base depth (mm)	Inner depth (mm)	Polycarbonate grey cover plain sides (product code, GTIN-13)	Polycarbonate transparent cover plain sides (product code, GTIN-13)	UL-listed grey cover plain sides (product code, GTIN-13)	UL-listed transparent cover plain sides (product code, GTIN-13)
200	200	132	102	115.0	WPCP202013G 6418677174308	WPCP202013T 6418677174384	WPCP202013G.U 6438100117559	WPCP202013T.U 6438100117696
		187	102 + 55*	170.0	WPCP202018G 6418677174469	WPCP202018T 6418677174544	WPCP202018G.U 6438100117627	WPCP202018T.U 6438100117764
	300	132	102	115.0	WPCP203013G 6418677174315	WPCP203013T 6418677174391	WPCP203013G.U 6438100117566	WPCP203013T.U 6438100117702
		187	102 + 55*	170.0	WPCP203018G 6418677174476	WPCP203018T 6418677174551	WPCP203018G.U 6438100117634	WPCP203018T.U 6438100117771
	400	132	102	115.0	WPCP204013G 6418677174322	WPCP204013T 6418677174407	WPCP204013G.U 6438100117573	WPCP204013T.U 6438100117719
		187	102 + 55*	170.0	WPCP204018G 6418677174483	WPCP204018T 6418677174568	WPCP204018G.U 6438100117641	WPCP204018T.U 6438100117788
300	300	132	102	115.0	WPCP303013G 6418677174339	WPCP303013T 6418677174414	WPCP303013G.U 6438100117580	WPCP303013T.U 6438100117726
		187	102 + 55*	170.0	WPCP303018G 6418677174490	WPCP303018T 6418677174575	WPCP303018G.U 6438100117658	WPCP303018T.U 6438100117795
	400	132	102 + 55*	115.0	WPCP304013G 6418677174346	WPCP304013T 6418677174421	WPCP304013G.U 6438100117597	WPCP304013T.U 6438100117733
		187	102 + 55*	170.0	WPCP304018G 6418677174506	WPCP304018T 6418677174582	WPCP304018G.U 6438100117665	WPCP304018T.U 6438100117801
	600	132	102 + 55	115.0	WPCP306013G 6418677174353	WPCP306013T 6418677174438	WPCP306013G.U 6438100117603	WPCP306013T.U 6438100117740
		187	102 + 55*	170.0	WPCP306018G 6418677174513	WPCP306018T 6418677174599	WPCP306018G.U 6438100117672	WPCP306018T.U 6438100117818
400	400	132	102 + 55	115.0	WPCP404013G 6438100113285	WPCP404013T 6438100113292	WPCP404013G.U 6438100118495	WPCP404013T.U 6438100118501
		187	102 + 55*	170.0	WPCP404018G 6438100113308	WPCP404018T 6438100113315	WPCP404018G.U 6438100118518	WPCP404018T.U 6438100118525
	600	132	102 + 55	115.0	WPCP406013G 6418677174377	WPCP406013T 6418677174452	WPCP406013G.U 6438100117610	WPCP406013T.U 6438100117757
		187	102 + 55*	170.0	WPCP406018G 6418677174537	WPCP406018T 6418677174612	WPCP406018G.U 6438100117689	WPCP406018T.U 6438100117825



WPCP202013G



WPCP406018T

^(*) Includes the extension frame

Accessories for Ensto Cubo O, C enclosures

Bases

Includes mounting screws

Width (mm)	Height (mm)	Depth (mm)	Base, plain sides, polycarbonate, includes mounting screws (Product code, GTIN-13)	Plain sides, ABS (Product code, GTIN-13)	Metric knockouts, polycarbonate (Product code, GTIN-13)	Flange knockouts, polycarbonate (Product code, GTIN-13)
200	200	102	OPCP202010B 6418677164248	OABP202010B 6418677164316		CPCF202010B ⁽⁴⁾ 6418677171697
	300	102	OPCP203010B 6418677164255	OABP203010B 6418677164323		CPCF203010B ⁽⁵⁾ 6418677171703
	400	102	OPCP204010B 6418677164262	OABP204010B 6418677164330		CPCF204010B ⁽⁵⁾ 6418677171710
300	300	102	OPCP303010B 6418677164279	OABP303010B 6418677164347	OPCM303010B ⁽¹⁾ 6418677182600	CPCF303010B ⁽⁶⁾ 6418677171727
	400	102	OPCP304010B 6418677164286	OABP304010B 6418677164354	OPCM304010B ⁽²⁾ 6418677182617	CPCF304010B ⁽⁶⁾ 6418677171734
	600	102	OPCP306010B 6418677164293	OABP306010B 6418677164361	OPCM306010B ⁽³⁾ 6418677182624	CPCF306010B ⁽⁷⁾ 6418677171741
400	400	102	OPCP404010B 6438100112943	OABP404010B 6438100112936		CPCF404010B ⁽⁶⁾ 6438100112929
	600	102	OPCP406010B 6418677164309	OABP406010B 6418677164378		CPCF406010B ⁽⁷⁾ 6418677171758



OPCM303010B



CPCF304010B

⁽¹⁾ 12 x M20 + 1 x M16/25 + 8 x M20 + 4 x M25/40

⁽²⁾ 8 x M12/20 + 5 x M16/25 + 12 x M12/20 + 1 x M32/40

⁽³⁾ 8 x M12/20 + 5 x M16/25 + 12 x M12/20 + 1 x M32/40

⁽⁴⁾ 4 x F1 knockout, ⁽⁵⁾ 2 x F1 knockout + 2 x F2 knockout

⁽⁶⁾ 4 x F2 knockout, ⁽⁷⁾ 6 x F2 knockout

Extension frames, polycarbonate

Width (mm)	Height (mm)	Depth (mm)	Extension frames, polycarbonate, includes mounting screws and gasket (Product code, GTIN-13)
200	200	55	OPCP202006E 6418677164606
	300	55	OPCP203006E 6418677164613
	400	55	OPCP204006E 6418677164620
300	300	55	OPCP303006E 6418677164637
	400	55	OPCP304006E 6418677164644
	600	55	OPCP306006E 6418677164651
400	400	55	OPCP404006E 6438100112912
	600	55	OPCP406006E 6418677164668



OPCP303006E



OPCG303003L

Covers

Width (mm)	Height (mm)	Depth (mm)	Grey cover, polycarbonate (Product code, GTIN-13)	Transparent cover, polycarbonate (Product code, GTIN-13)	Grey cover, ABS (Product code, GTIN-13)	Grey cover with window for kWh-meter, polycarbonate (Product code, GTIN-13)
200	200	30	OPCG202003L ⁽¹⁾ 6418677164453	OPCT202003L ⁽¹⁾ 6418677164385	OABG202003L ⁽¹⁾ 6418677164521	
	300	30	OPCG203003L ⁽¹⁾ 6418677164460	OPCT203003L ⁽¹⁾ 6418677164392	OABG203003L ⁽¹⁾ 6418677164538	
	400	30	OPCG204003L ⁽¹⁾ 6418677164477	OPCT204003L ⁽¹⁾ 6418677164408	OABG204003L ⁽¹⁾ 6418677164545	
300	300	30	OPCG303003L ⁽¹⁾ 6418677164484	OPCT303003L ⁽¹⁾ 6418677164415	OABG303003L ⁽¹⁾ 6418677164552	
	400	30	OPCG304003L ⁽¹⁾ 6418677164491	OPCT304003L ⁽¹⁾ 6418677164422	OABG304003L ⁽¹⁾ 6418677164569	
	600	30	OPCG306003L ⁽¹⁾ 6418677164507	OPCT306003L ⁽¹⁾ 6418677164439	OABG306003L ⁽¹⁾ 6418677164576	
400	400	30	OPCG404003L ⁽¹⁾ 6438100112967	OPCT404003L ⁽¹⁾ 6438100112974	OABG404003L ⁽¹⁾ 6438100112950	
	600	30	OPCG406003L ⁽¹⁾ 6418677164514	OPCT406003L ⁽¹⁾ 6418677164446	OABG406003L ⁽¹⁾ 6418677164583	OPCG36KWH ⁽²⁾ 6418677174186



OPCT303003L



OPCG36KWH

⁽¹⁾ Includes gasket

⁽²⁾ Inspection window 113 x 153 mm, Includes cover screws

Accessories for Ensto Cubo O, C, W enclosures

Mounting plates and DIN rails

Product code	Description	Dimensions (mm)	Package size (pcs)	GTIN-13
Mounting plates, galvanized steel				
OMP2020	For 200 x 200 mm enclosures	160 x 160 x 1.5	1	6418677164675
OMP2030	For 200 x 300 mm enclosures	160 x 260 x 1.5	1	6418677164682
OMP2040	For 200 x 400 mm enclosures	160 x 360 x 1.5	1	6418677164699
OMP3030	For 300 x 300 mm enclosures	260 x 260 x 1.5	1	6418677164705
OMP3040	For 300 x 400 mm enclosures	260 x 360 x 1.5	1	6418677164712
OMP3060	For 300 x 600 mm enclosures	260 x 560 x 1.5	1	6418677164729
OMP4040	For 400 x 400 mm enclosures	360 x 360 x 1.5	1	6438100112370
OMP4060	For 400 x 600 mm enclosures	360 x 560 x 1.5	1	6418677164736
Mounting plates for kWh meter, galvanized steel				
KWHP3040	For 300 x 400 mm enclosures	260 x 360 x 1.5	1	6418677173110
KWHP3060	For 300 x 600 mm enclosures	260 x 560 x 1.5	1	6418677173097
KWHP4040	For 400 x 400 mm enclosures	360 x 360 x 1.5	1	6438100112394
KWHP4060	For 400 x 600 mm enclosures	360 x 560 x 1.5	1	6418677173127
DIN rails, DIN 46277/3, galvanized steel				
DR35150.5	For 200 mm side	35 x 160	1	6418677164743
DR35240.5	For 600 mm side/middle with front panel	35 x 250	1	6418677176647
DR35250.5	For 300 mm side	35 x 260	1	6418677164750
DR35340.5	For 600 mm side/middle with front panel	35 x 350	1	6418677176654
DR35350.5	For 400 mm side	35 x 360	1	6418677164767



OMP3040



KWHP3040

Profiles for DIN rails, galvanized steel

	Product code	Description	Dimensions (mm)	Package size (pcs)	GTIN-13
Height 14.5 mm	PRE2.14	Pair, for 200 mm side	115 x 14 x 14	1	6418677173172
	PRE3.14	Pair, for 300 mm side	215 x 14 x 14	1	6418677173134
	PRE4.14	Pair, for 400 mm side	315 x 14 x 14	1	6418677173141
	PRE75.14	Pair, for 600 mm side or center	75 x 14 x 14	1	6418677173158
Height 32.5 mm	PRE2.32	Pair, for 200 mm side	115 x 14 x 32	1	6418677173189
	PRE3.32	Pair, for 300 mm side	215 x 14 x 32	1	6418677172687
	PRE4.32	Pair, for 400 mm side	315 x 14 x 32	1	6418677172694
	PRE75.32	Pair, for 600 mm side or center	75 x 14 x 32	1	6418677173165



PRE2.14

Busbar support sets, 630 A

Product code	Description	Dimensions (mm)	Package size (pcs)	GTIN-13
KGH1.10	Support set for bars 10 mm x 10, 12, 20 or 30 mm	266 x 78 x 18	1	6418677172373
KGH1.05	Support set for bars 5 mm x 10, 12, 15 or 20 mm	266 x 78 x 18	1	6418677172380



KGH1.10

Terminals for Al/Cu busbars

Product code	Description	For busbar	Package size (pcs)	GTIN-13
KG81	Terminal for 25-70 mm ² cable	10 mm Al/Cu	1	6418677163739
KG83	Terminal for 16-185 mm ² cable	10 mm Al/Cu	1	6418677163746
KG85	Terminal for 2 x 35 mm ² + 2 x 16 mm ² cables	10 mm Al/Cu	1	6418677163753
KG87	Terminal for 4 x 35 mm ² + 4 x 16 mm ² cables	10 mm Al/Cu	1	6418677163760
KG80	Terminal for 25-70 mm ² cable	5 mm Al/Cu	1	6418677163852
KG82	Terminal for 6-70 mm ² cable	5 mm Al/Cu	1	6418677163869
KG84	Terminal for 3 x 16 mm ² cables	5 mm Al/Cu	1	6418677163876
KG86	Terminal for 6 x 16 mm ² cables	5 mm Al/Cu	1	6418677163883



KG85

Strain reliefs

Product code	Description	Dimensions (mm)	Package size (pcs)	GTIN-13
KJ8.13	300 mm side/for 1 cable, galvanized steel	265 x 65 x 85	1	6418677172755
KJ8.23	300 mm side/for 2 cables, galvanized steel	265 x 65 x 85	1	6418677173271
KJ8.14	400 mm side/for 1 cable, galvanized steel	365 x 65 x 85	1	6418677173288
KJ8.24	400 mm side/for 2 cables, galvanized steel	365 x 65 x 85	1	6418677173295



KJ8.13

Accessories for Ensto Cubo O, C, W enclosures

Cover screws for Ensto Cubo O, C enclosures

Product code	Description	Dimensions (mm)	Package size (pcs)	GTIN-13
OLS42	Slotted/cross head, sealable	14 x 42	1	6418677164590
OLSA42.4	Screw set, 4 slotted/cross head cover screws OLS42	14 x 42	1	6418677174704
OLSA42.6	Screw set, 6 slotted/cross head cover screws OLS42	14 x 42	1	6418677174711
OLSA42.04	Screw set, 4 slotted/cross head cover screws OLS42 and 4 mounting screws OMS1	14 x 42	1	6418677172267
OLSA42.06	Screw set, 6 slotted/cross head cover screws OLS42 and 8 mounting screws OMS1	14 x 42	1	6418677172274
OLS42N	Slotted/cross head, dark grey Noryl	14 x 42	1	6418677174728
OLS32	Slotted/cross head for 600 mm modular cover	14 x 32	1	6418677174360
PLS63	Springloaded, slotted/cross head	14 x 62	1	6418677173073
OLSH1	Hinged cover screw, slotted/cross head, blue, polyamide	14 x 96	1	6418677174247
OLWH1	Hinged cover screw, wing head, blue, polyamide	14 x 113	1	6418677174254
OLW55	Wing head	14 x 55	1	6418677171765
OLWA55.4	Screw set, 4 wing head cover screws OLW55	14 x 55	1	6418677174735
OLWA55.6	Screw set, 6 wing head cover screws OLW55	14 x 55	1	6418677174742
OLWA55.04	Screw set, 4 wing head cover screws OLW55 and 4 mounting screws OMS1	14 x 55	1	6418677172281
OLWA55.06	Screw set, 6 wing head cover screws OLW55 and 8 mounting screws OMS1	14 x 55	1	6418677174759
OLT42	DIN 3 head	14 x 42	1	6418677171772
OLTA42.4	Screw set, 4 DIN 3 head cover screws OLT42	14 x 42	1	6418677174766
OLTA42.6	Screw set, 6 DIN 3 head cover screws OLT42	14 x 42	1	6418677174773
OLTA42.04	Screw set, 4 DIN 3 head cover screws OLT42 and 4 mounting screws OMS1	14 x 42	1	6418677172298
OLTA42.06	Screw set, 6 DIN 3 head cover screws OLT42 and 8 mounting screws OMS1	14 x 42	1	6418677174780
OLTA42.041	Screw set, 4 DIN 3 head cover screws OLT42 and 4 mounting screws OMS1 + key OLT42KEY	14 x 42	1	6418677174797
OLT42KEY	Key for DIN head screw OLT42	50 x 53 x ø22	1	6418677172410



Cover screw, slotted/cross head, OLS42.



Cover screw, wing head, OLW55.

Other accessories

Product code	Description	Dimensions (mm)	Package size (pcs)	GTIN-13
OCS22.46	Customizing template, transparent	300 x 400 x 6	1	6418677184338
OES1	Extension frame screw	ø 17 x 67	1	6418677174803
OESA1.04	Extension frame screws, set of 4 pcs	ø17 x 67	1	6438100081409
OESA1.06	Extension frame screws, set of 6 pcs	ø17 x 67	1	6438100081416
OHI1	Hinge pair, Includes mounting instruction	40 x 50 x 16.5	1	6418677164774
OHICP1	Hinge pair, Includes 2 cover plugs	40 x 50 x 16.5	1	6418677172304
OFL1	Fastening lug, set of 4 pcs	19 x 40 x 35.5	1	6418677164781
OEL1	Corner elevator, Includes M5 bolt	19 x 19 x 14	1	6418677164798
OELA1.04	Corner elevator, set of 4 OEL1	19 x 19 x 14	1	6418677181696
OPHFA1.04	Hinge set for swing panel	-	-	6438100200817
OTS1	Threaded bushing, for cover screw when cover mounted on the back	18/30 ø 16	1	6418677171789
OTSA1.04	Threaded bushing, 4 x OTS1 + 4 x OLS42	17 x 30/18	1	6418677181702
OMS1	Mounting screw, for rails and plates	5 x 10	1	6418677164804
OBI1	Brass insert, for mounting pod	M3	1	6418677172328
OBI1.04	Brass insert, set of 4 OBI1	M3	1	6418677172335
OCP1	Cover plug, polyethylene	11 x ø 15/17	1	6418677164811
OBS15	15 mm spacer, Includes M5 screw, steel	15 x 8	1	6418677171802
OBS15.04	15 mm spacer, set of 4 pcs	15 x 8	1	6418677172342
OBS20	20 mm spacer, Includes M5 screw, steel	20 x 8	1	6418677171819
OBS20.04	20 mm spacer, set of 4 pcs	20 x 8	1	6418677172359
OBS30	30 mm spacer, Includes M5 screw, steel	30 x 8	1	6418677171826
OBS30.04	30 mm spacer, set of 4 pcs	30 x 8	1	6418677172366
WQL1.1	Latch, pair, Includes hooks and counter parts	-	1	6418677174902



Latch, pair, WQL1.1.



Hinged cover screw, OLSH1.



Hinge pair, OHI1.



Fastening lug set, OFL1.



Corner elevator, OEL1.

Accessories for Ensto Cubo O, C, W enclosures

Front panels

Front panels, closed, incl. corner elevators (Product code, GTIN-13)		Description	Dimensions (mm)	Package size (pcs)
Polypropylene		Aluminium		
OFP22 6418677182754	OFP22A 6418677182983	For 200 x 200 mm enclosure	186 x 186 x 2	1
OFP23 6418677182761	OFP23A 6418677182990	For 200 x 300 mm enclosure	186 x 286 x 2	1
OFP24 6418677182778	OFP24A 6418677183003	For 200 x 400 mm enclosure	186 x 386 x 2	1
OFP33 6418677182785	OFP33A 6418677183010	For 300 x 300 mm enclosure	286 x 286 x 2	1
OFP34 6418677182792	OFP34A 6418677183027	For 300 x 400 mm enclosure	286 x 386 x 2	1
OFP36 6418677182808	OFP36A 6418677183034	For 300 x 600 mm enclosure	286 x 586 x 2	1
OFP46 6418677182815	OFP46A 6418677183041	For 400 x 600 mm enclosure	386 x 586 x 2	1
Hinged front panels, incl. corner elevators (Product code, GTIN-13)		Aluminium		
Polypropylene		Aluminium		
OHFP22 6418677183058	OHFP22A 6418677183171	For 200 x 200 mm enclosure, hinged side 200 mm	186 x 166 x 2	1
OHFP23 6418677183065	OHFP23A 6418677183188	For 200 x 300 mm enclosure, hinged side 200 mm	186 x 286 x 2	1
OHFP32 6418677183072	OHFP32A 6418677183195	For 200 x 300 mm enclosure, hinged side 300 mm	186 x 286 x 2	1
OHFP24 6418677183089	OHFP24A 6418677183201	For 200 x 400 mm enclosure, hinged side 200 mm	186 x 386 x 2	1
OHFP42 6418677183096	OHFP42A 6418677183218	For 200 x 400 mm enclosure, hinged side 400 mm	186 x 386 x 2	1
OHFP33 6418677183102	OHFP33A 6418677183225	For 300 x 300 mm enclosure, hinged side 300 mm	286 x 286 x 2	1
OHFP34 6418677183119	OHFP34A 6418677183232	For 300 x 400 mm enclosure, hinged side 300 mm	286 x 386 x 2	1
OHFP43 6418677183126	OHFP43A 6418677183249	For 300 x 400 mm enclosure, hinged side 400 mm	286 x 386 x 2	1
OHFP36 6418677183133	OHFP36A 6418677183256	For 300 x 600 mm enclosure, hinged side 300 mm	286 x 586 x 2	1
OHFP63 6418677183140	OHFP63A 6418677183263	For 300 x 600 mm enclosure, hinged side 600 mm	286 x 586 x 2	1
OHFP46 6418677183157	OHFP46A 6418677183270	For 400 x 600 mm enclosure, hinged side 400 mm	386 x 586 x 2	1
OHFP64 6418677183164	OHFP64A 6418677183287	For 400 x 600 mm enclosure, hinged side 600 mm	386 x 586 x 2	1
DIY parts for plates (Product code, GTIN-13)				
OPHFPA1.04 6438100200817		Hinge set for swing panel DIY *	-	1
OELA1.04 6418677181696		Elevator set for panel DIY *	19/19 x 14	1

* DIY for customers providing own panels, ask panel drawing from Ensto



OFP22



OHFP22



OPHFPA1.04



N and PE rails

Product code	Description	Length (mm)	Package size (pcs)	GTIN-13
KN15.315	For 300 mm side, N + PE, Cu 2 x (2 x 16 / 13 x 6 mm ²)	250	1	6418677153020
KN16.330	For 300 mm side, N, Cu 4 x 16 / 26 x 6 mm ²	250	1	6418677153037
KN17.332	For 300 mm side, PE, Cu 4 x 16 / 28 x 6 mm ²	250	1	6418677153044
KN15.423	For 400 mm side, N + PE, Cu 2 x (2 x 16 / 21 x 6 mm ²)	350	1	6418677153051
KN16.436	For 400 mm side, N, Cu 4 x 16 / 32 x 6 mm ²	350	1	6418677153068
KN17.436	For 400 mm side, PE, Cu 4 x 16 / 32 x 6 mm ²	350	1	6418677153075

PMR1387

Flanges and accessories for Ensto Cubo C enclosures, page 39



Cable spreader for 1 cable, F2CE.1.



50 mm extension frame for F2 flange, F2C50E.



Knockout flange, F2 size, F2252



Flange bolt set, F2 size, polyamide, F2PA30.

Ensto Modulo distribution enclosures IP65

Sizes 166 x 231 x 113 to 418 x 586 x 148 mm



Ensto Modulo enclosure in brief:

- Available in 9 sizes, capacity for 4 to 54 modules
- Factory installed DIN-rails, earth and neutral bars
- Factory made metric knockouts from M20 to M40
- Removable DIN-rail chassis for models with two or more rows
- Sealed screws at four points for easy installation

Contents of the product package:

- Enclosure base
- Cover with hinged window
- Cover screws
- Pre-mounted DIN rails
- Pre-mounted N/PE busbars
- Cover plate
- Marker

Further information

- Service offering, page 12–13
- Common enclosure accessories, page 42–46
- Product cards, dimensional drawings and 3D models can be found at ensto.com.

Conformity	
ABS enclosures:	CE
Technical information	
Degree of protection:	IP65
Impact resistance: (-25 °C ... +40 °C)	IK08 (5 J)
Auto-extinguishing degree:	UL 94 HB
Insulation:	Class II
Glow wire test:	650 °C
Service temperature: (empty boxes)	-25 ... +70 °C
Maximum voltage: (empty boxes)	1000 V AC / 1500 V DC
Earth and Neutral bars:	500 V / 125A
Body	
Material:	ABS
UV resistance: (ISO 4892-2 meth. A)	500 hour
Color:	Grey, RAL 7035
Window	
Material:	Polycarbonate
UV resistance: (ISO4892-2 meth. A)	1000 hour
Color:	Transparent, smoke grey



Earth and Neutral bars at double height, section 12 x 6.5 mm are factory installed.



Window is hinged. This means that the opening direction can be changed quickly and safely.



Joining enclosures is easy. A channel for wiring is possible with a joining kit for mounting enclosures horizontally (MODB25M) or vertically (MODB40M).

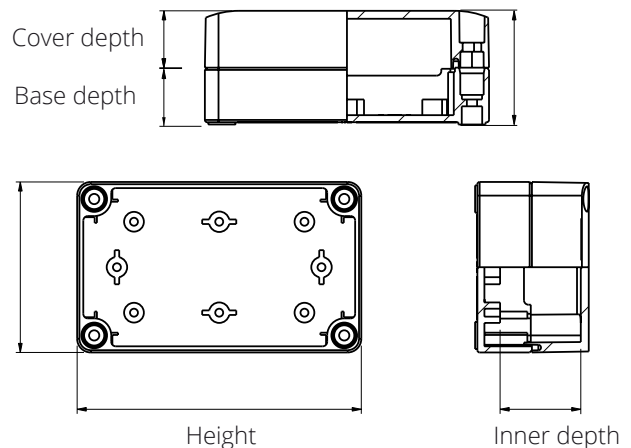


DIN-rails can be installed into two height positions. Fixing requires only one screw.

For outdoor use an enclosure of polycarbonate is highly recommended, available on request.

Dimensions

You can find the following dimensions on the product tables. More information, product cards, dimensional drawings and 3D models can be found at ensto.com.



Ensto Modulo distribution enclosures, ABS

Product code	Description	Dimensions (mm)			Weight (kg)	Package size (pcs)	GTIN-13
		Width	Height	Depth			
MODAB41PN	Distribution enclosure 4 modules	166	231	113	0.722	1	6438100196226
MODAB61PN	Distribution enclosure 6 modules	202	231	113	0.762	1	6438100196233
MODAB81PN	Distribution enclosure 8 modules	238	231	118	0.929	1	6438100196240
MODAB121PN	Distribution enclosure 12 modules	310	246	148	1.415	1	6438100196257
MODAB181PN	Distribution enclosure 18 modules	418	286	148	1.879	1	6438100196264
MODAB242PN	Distribution enclosure 24 modules	310	436	148	2.357	1	6438100196271
MODAB362PN	Distribution enclosure 36 modules	418	436	148	2.918	1	6438100196288
MODAB363PN	Distribution enclosure 36 modules	310	586	148	3.098	1	6438100196295
MODAB543PN	Distribution enclosure 54 modules	418	586	148	3.949	1	6438100196301



MODAB41PN



MODAB121PN



MODAB242PN



MODAB543PN

Accessories

Product code	Description	Weight (kg)	Package size (pcs)	GTIN-13
MODHI2	Base frame inner hinge	0.005	10	6438100197094
MODKL2	Lock triangle 2 units with key	0.018	1	6438100197100
MODKL3	Security key lock	0.038	1	6438100197117
MODB25M	Bushing joining enclosures 25M	0.017	1	6438100197124
MODB40M	Bushing joining enclosures 40M	0.025	1	6438100197131
MODKL1	Standard lock	0.012	10	6438100197148
MODHI1	Hinge, spare part	0.002	12	6438100197155

Spare parts

Product code	Description	Dimensions (mm)			Weight (kg)	Package size (pcs)	GTIN-13
		Width	Height	Depth			
MODD041	Transparent door 4 modules	170	150	30	0.092	1	6438100197759
MODD061	Transparent door 6 modules	200	150	30	0.115	1	6438100197766
MODD081	Transparent door 8 modules	240	150	30	0.129	1	6438100197773
MODD121	Transparent door 12 modules	310	170	30	0.202	1	6438100197780
MODD181	Transparent door 18 modules	420	170	30	0.249	1	6438100197797
MODD242	Transparent door 24 mod 2r	310	320	30	0.375	1	6438100197803
MODD362	Transparent door 36 mod 2r	420	320	30	0.526	1	6438100197810
MODD363	Transparent door 36 mod 3r	310	470	30	0.556	1	6438100197827
MODD543	Transparent door 54 mod 3r	420	470	30	0.742	1	6438100197834



MODHI2



MODKL3



MODB25M



MODKL1

Ensto terminal junction boxes IP67

Sizes 125 x 125 x 75 to 300 x 600 x 132 mm



Ensto Cubo T enclosure in brief:

- Include everything needed for connecting wires, extending or branching cables as well as enclosing
- Available with Ensto Clampo Compact terminal blocks and Ensto Clampo Pro Universal terminals
- Include either Ensto Cubo S or C thermoplastic enclosures
- The enclosure has exactly the right dimensions in terms of the terminals and the required bending space
- Save time choosing products (all of the required items can be ordered with one ordering number only)
- Need less storage space (no separate packages)

Further information

- Service offering, page 12–13
- Common enclosure accessories, page 42–46
- Product cards, dimensional drawings and 3D models can be found at ensto.com.

Conformity	
	CE RoHS
Standards	
Enclosure:	EN 62208
Ensto Clampo Compact terminal:	EN 60947-7-1
Ensto Clampo Pro terminals:	EN 61238-1 for aluminium conductors, EN 61238-1 for aluminium conductors
Material	
Enclosure:	Fiberglass reinforced polycarbonate
Housing (terminals):	Polyamide
Body and screws:	Tin-coated aluminium or nickel-coated brass
Mechanical features	
Screw head:	Hexagonal or slot
Standard color	
Base and cover:	Grey RAL 7035

Item	Ensto Cubo T1	Ensto Cubo T2	Ensto Cubo T3	Ensto Cubo T4	Ensto Cubo T5
Product code	TPM131308G001	TPCF203013G002	TPCF304013G003	TPCF304013G004	TPCF306013G005
GTIN-13	6418677182372	6418677182389	6418677182396	6418677182402	6418677182419
Cross-section	Cu 12 x 6 mm ²	Al/Cu 5 x 6–35 mm ²	Al/Cu 5 x 16–95 mm ²	Al/Cu 2 x (5 x 16 – 70) mm ²	Al/Cu 2 x (5 x 35 – 150) mm ²
Package content:					
Ensto Cubo enclosure	SPCM131308G	CPCF203013G	CPCF304013G	CPCF304013G	CPCF306013G
Cover screws (pcs)	4	4	4	4	6
Cable glands incl. strain relief	2 x M16, 2 x M20, 1 x M25	-	-	-	-
Counter nuts	2 x M16, 2 x M20, 1 x M25	-	-	-	-
Cover plug	1 x M25	-	-	-	-
Membrane flanges	-	2 x F1201	2 x F2204	2 x F2204	2 x F2204
Flange bolt sets	-	2	2	2	2
Base supports	-	-	2	2	2
Fastening lugs, set	1	1	1	1	1
DIN rails/mounting plate	1 x DIN 15 rail, 13 cm	1 x DIN 35 rail, 16 cm	1 x DIN 35 rail, 26 cm	1 x DIN 35 rail, 26 cm	1 x mounting plate 30 x 40 cm
Mounting screws (pcs)	2	2	2	2	4
End holder	2	2	2	2	-
Terminals	1 x 12-pole, grey (KR8121)	1 x 3-pole, grey (KE61.03), 1 x blue (KE61.2), 1 x yellow-green (KE61.3)	3 x grey (KE62), 1 x blue (KE62.2), 1 x yellow-green (KE62.3)	3 x grey (KE67), 1 x blue (KE67.2), 1 x yellow-green (KE67.3)	3 x grey (KE68), 1 x blue (KE68.2), 1 x yellow-green (KE68.3)
Marking	1–12	L1, L2, L3	L1, L2, L3	L1, L2, L3	L1, L2, L3
Cross connectors	2 x 3-pole (KRL6067.03)	-	-	-	-



Ensto Cubo T1



Ensto Cubo T2



Ensto Cubo T3



Ensto Cubo T5

Polyester enclosures

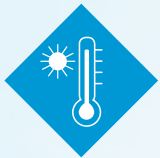
The enclosures are made of glass-reinforced polyester and are extremely durable. They can replace stainless steel enclosures in challenging conditions. The cost-effective polyester enclosing solution used is UV-resistant, has self-extinguishing properties and is halogen-free. The cabinets can be used in various environments and application areas such as maritime, metering and control, renewable energies as well as water and waste water treatment.

Benefits of using our solutions



Quick deliveries

Our leadtime is one of the shortest in the market. Enclosing solutions are ready to be delivered promptly after the receipt of the purchase order and approved technical drawing.



Wide temperature range

The temperature resistance of glass-reinforced polyester is excellent, from -40 °C to +80 °C. It is therefore suitable for highly demanding industrial environments such as oil refineries and petrochemical and chemical plants.



Suitable for outdoor use

The fiberglass-reinforced polyester enclosures are resistant to changes in climate and has high UV-resistance.

Range comparison

Ensto Cubo N wall cabinets, IP66

- Sizes 250 x 300 x 140 to 600 x 800 x 300 mm
- Available with plain sides or with a polycarbonate window
- Quick fixture brackets at the back allow fitting without drilling
- Built-in protective edge prevents entry of water when opening the door
- Vertical patterns on the inner side of the door enables correct fitting of devices

Ensto Cubo M enclosures, IP66

- Sizes 75 x 80 x 55 to 400 x 405 x 120 mm
- Available with plain sides
- Captive cover screws of stainless steel
- Stainless steel inserts for DIN rails
- Possible to make threaded entries for cable glands



Ensto Cubo N wall cabinets, IP66

Sizes 250 x 300 x 140 to 600 x 800 x 300 mm



Ensto Cubo N wall cabinets in brief:

- Available with plain sides or with a polycarbonate window
- The product has been tested according to standards EN 62208:2011
- Superb temperature resistance
- Sturdy construction and high resistance to corrosion and solvents
- Suitable for highly demanding environments such as waste water treatment and the petrochemical/chemical industries
- Quick fixture brackets at the back allow fitting without drilling
- Built-in protective edge allows you to open the door 180° in installations and also prevents entry of water when opening the door
- Vertical patterns on the inner side of the door enables correct fitting of devices

Contents of the product package:

- Enclosure base
- Door
- Lock and DIN 3 keys (one for each lock) (or 3-point closing with swing handle)

Further information

- Service offering, page 12–13
- Common enclosure accessories, page 42–46
- Product cards, dimensional drawings and 3D models can be found at ensto.com.

Conformity	
GRP enclosures:	CE RoHS UL cUL
Technical information	
Degree of protection:	IP66
Impact resistance:	IK10, IK08 +25 °C, window
Operating temperature:	-40 °C... 80 °C
Short term temperature range:	-50 °C... 140 °C
Glow wire test:	960 °C
Flammability rating:	UL 746C (5 inch flame)
UL File no:	E189312
UL category:	NITW, NITW7
Insulation:	Class II
Material	
Base/cover:	Fibreglass reinforced polyester
Lock:	Double bit DIN 3.0 mm
Gasket:	PUR (polyurethane)
Enclosure side types	
GRP enclosures:	Plain sides / customer-specific holes
Standard color	
Base/cover:	Grey RAL 7035

Ensto Cubo N wall cabinets

Width (mm)	Height (mm)	Depth (mm)	Polyester plain sides (product code, GTIN-13)	Polyester 3-point closing with swing handle / DIN3, plain sides (product code, GTIN-13)	Polyester polycarbonate window plain sides (product code, GTIN-13)	UL-listed, polyester plain sides (product code, GTIN-13)	UL-listed, polyester polycarbonate window plain sides (product code, GTIN-13)
250	300	140	NGRP253014 6438100123451		NGRW253014 6438100123642	NGRP253014.U 6438100133528	NGRW253014.U 6438100133597
300	400	200	NGRP304020 6438100123468	NGRP304020P3SH 6438100123581	NGRW304020 6438100123659	NGRP304020.U 6438100133535	NGRW304020.U 6438100133603
400	400	200	NGRP404020 6438100123475	NGRP404020P3SH 6438100123598	NGRW404020 6438100123666	NGRP404020.U 6438100133542	NGRW404020.U 6438100133610
	500	200	NGRP405020 6438100123482	NGRP405020P3SH 6438100123604	NGRW405020 6438100123673	NGRP405020.U 6438100133559	NGRW405020.U 6438100133627
500	600	230	NGRP406023 6438100123499	NGRP406023P3SH 6438100123611	NGRW406023 6438100123680	NGRP406023.U 6438100133566	NGRW406023.U 6438100133634
		230	NGRP506023 6438100123505	NGRP506023P3SH 6438100123628	NGRW506023 6438100123697	NGRP506023.U 6438100133573	NGRW506023.U 6438100133641
600	800	300	NGRP608030 6438100123512	NGRP608030P3SH 6438100123635	NGRW608030 6438100123703	NGRP608030.U 6438100133580	NGRW608030.U 6438100133658
800	600	300	NGRP806030 6438100205010	NGRP806030P3SH 6438100206772			



NGRP506023



NGRP404020P3SH



NGRW304020



NGRP806030P3SH

Mounting plates and DIN rails

Product code	Description	Dimensions (mm)	Package size (pcs)	GTIN-13
Mounting plates, GRP				
NGRMP2530	For 250 x 300 mm enclosures	213 x 268 x 4	1	6438100123833
NGRMP3040	For 300 x 400 mm enclosures	260 x 358 x 4	1	6438100123840
NGRMP4040	For 400 x 400 mm enclosures	360 x 358 x 4	1	6438100123857
NGRMP4050	For 400 x 500 mm enclosures	360 x 458 x 4	1	6438100123864
NGRMP4060	For 400 x 600 mm enclosures	360 x 558 x 4	1	6438100123871
NGRMP5060	For 500 x 600 mm enclosures	460 x 558 x 4	1	6438100123888
NGRMP6080	For 600 x 800 mm enclosures	556 x 754 x 4	1	6438100123895
Mounting plates, galvanized steel				
NMP2530	For 250 x 300 mm enclosures	207 x 268 x 2	1	6438100123970
NMP3040	For 300 x 400 mm enclosures	254 x 358 x 2	1	6438100123987
NMP4040	For 400 x 400 mm enclosures	354 x 358 x 2	1	6438100123994
NMP4050	For 400 x 500 mm enclosures	354 x 458 x 2	1	6438100124007
NMP4060	For 400 x 600 mm enclosures	354 x 558 x 2	1	6438100124014
NMP5060	For 500 x 600 mm enclosures	454 x 558 x 2	1	6438100124021
NMP6080	For 600 x 800 mm enclosures	558 x 754 x 2	1	6438100124038
DIN rails, DIN 46277/3, galvanized steel				
DR35220.6	For 250 mm sides	230 x 35	1	6438100174071
DR35270.6	For 300 mm sides	280 x 35	1	6438100174088
DR35370.6	For 400 mm sides	380 x 35	1	6438100159733
DR35470.6	For 500 mm sides	480 x 35	1	6438100174095
DR35565.6	For 600 mm sides	575 x 35	1	6438100174101



NGRMP3040



NMP5060

Other accessories

Product code	Description	Dimensions (mm)	Package size (pcs)	GTIN-13
Chassis for modular devices, IP20				
NMC3040.24	For 300 x 400 mm wall cabinets, 2 DIN openings for 12 modules	-	1	6438100124366
NMC4040.36	For 400 x 400 mm wall cabinets, 2 DIN openings for 18 modules	-	1	6438100124373
NMC4050.54	For 400 x 500 mm wall cabinets, 3 DIN openings for 18 modules	-	1	6438100124380
NMC4060.54	For 400 x 600 mm wall cabinets, 3 DIN openings for 18 modules	-	1	6438100124397
NMC5060.69	For 500 x 600 mm wall cabinets, 3 DIN openings for 23 modules	-	1	6438100124403
NMC6080.116	For 600 x 800 mm wall cabinets, 4 DIN openings for 29 modules	-	1	6438100124410
Internal door kit, GRP				
NID3040	For 300 x 400 mm wall cabinets	258 x 366	1	6438100124304
NID4040	For 400 x 400 mm wall cabinets	358 x 366	1	6438100124311
NID4050	For 400 x 500 mm wall cabinets	358 x 466	1	6438100124328
NID4060	For 400 x 600 mm wall cabinets	358 x 566	1	6438100124335
NID5060	For 500 x 600 mm wall cabinets	458 x 566	1	6438100124342
NID6080	For 600 x 800 mm wall cabinets	558 x 766	1	6438100124359
Wall mounting lugs				
NFL1	Set of 4 pcs, plastic	-	1	6438100124670
NFL2	Set of 4 pcs, AISI 304	-	1	6438100169954
Locks				
NDIN1	DIN 3 lock with T-handle (standard lock)	-	1	6438100160296
NKL1	Key lock with a T-handle	-	1	6438100124816
NPD3041	Padlocking accessory, AISI 304	-	1	6438100124854



Chassis for modular devices, NMC4060.54. The kit includes a metal frame with DIN rails and module cover plates.



Internal door kit, NID4060.



Wall mounting lugs, NFL1.



Key lock with a T-handle, NKL1.



Padlocking accessory, NPD3041.

Ensto Cubo M enclosures, IP66

Sizes 75 x 80 x 55 to 400 x 405 x 120 mm



Ensto Cubo M enclosure in brief:

- Available with plain sides
- Available in 13 sizes
- Sturdy construction and high resistance to corrosion and solvents
- Suitable for highly demanding environments such as oil refineries and the petrochemical/chemical industries
- Due to the nature of polyester, ordering enclosures with ready-made cut-outs is recommended

Contents of the product package:

- Enclosure base
- Cover
- Cover screws
- Mounting screws

Further information

- Service offering, page 12–13
- Common enclosure accessories, page 42–46
- Product cards, dimensional drawings and 3D models can be found at ensto.com.

Technical information

Degree of protection:	IP66
Impact resistance:	7 Nm
Operating temperature:	-40 °C... 110 °C
Insulation:	Class II
Material	
Base/cover:	Glass reinforced polyester (GRP)
Cover screws:	Stainless steel
Gasket:	Chloroprene (CR)
Enclosure side types	
GRP enclosures:	Plain sides
Standard color	
Base/cover:	Similar to grey RAL 7000

Width (mm)	Height (mm)	Depth (mm)	Inner depth (mm)	Polyester plain sides (product code, GTIN-13)	Mounting plates, galvanized steel	DIN rails galvanized steel	
						DIN-15	DIN-35
75	80	55	47.5	MGRP080806 6418677165610	MMP0808B 6418677157752	DR15.0808M 6418677158018	
	110	55	47.5	MGRP081106 6418677165627	MMP0811B 6418677157769	DR15.0811 6418677158025	
	160	55	47.5	MGRP081606 6418677165634	MMP0816B 6418677157776	DR15.0816 6418677158032	
	190	55	47.5	MGRP081906 6418677165641	MMP0819B 6418677157783	DR15.0819 6418677158063	
120	122	90	81.0	MGRP121209 6418677165658	MMP1212B 6418677157790		DR35.1212 6418677157059
	220	90	82.0	MGRP122209 6418677165672	MMP1222B 6418677157806		DR35.1220 6418677157066
160	160	91	81.5	MGRP161609 6418677165689	MMP1616B 6418677157813		DR35.1616 6418677157080
	260	91	80.0	MGRP162609 6418677165702	MMP1626B 6418677157820		DR35.1626 6418677157097
	360	91	81.5	MGRP163609 6418677165719	MMP1636B 6418677157837		DR35.1636 6418677158070
	560	91	81.5	MGRP165609 6418677165726	MMP1656B 6418677157844		DR35.1656 6418677157103
250	255	120	109.0	MGRP252612 6418677165733	MMP2526B 6418677157851		DR35.2526 6418677158087
	400	120	109.0	MGRP254012 6418677165757	MMP2540B 6418677157868		DR35.2540.41 6418677158094
400	405	120	109.0	MGRP404112 6418677165764	MMP4041B 6418677157875		DR35.2540.41 6418677158094



Ensto Cubo M enclosures have plain sides and captive cover screws of stainless steel.



Machining polyester enclosures is difficult, for which reason ordering customized enclosures is recommended.

Other accessories

Product code	Description	Dimensions (mm)	Package size (pcs)	GTIN-13
HMH12	Hinge pair	25 x 40 x 11.5	1	6418677165443

Aluminium enclosures

The weight of aluminium is only about a quarter of that of steel. It has high impact-resistance, a wide temperature-resistance range and excellent corrosion-resistance.

Benefits of using our solutions



Quick deliveries

Our leadtime is one of the shortest in the market. Enclosing solutions are ready to be delivered promptly after receipt of purchase order and approved technical drawing.



Wide size range

We offer a particularly wide range of standard enclosure sizes.



Light weight

Due to the properties of aluminium, the enclosures are light but have high impact-resistance.



Excellent water-resistance

Our enclosures are water-resistant with a high degree of protection (IP66). Enclosures are polyester-painted, which improves our product lifetime and reduces your maintenance costs.

Ensto Cubo H enclosures, IP66

Sizes 50 x 45 x 30 to 310 x 601 x 180 mm



Ensto Cubo H enclosure in brief:

- Available with plain sides
- Available in 29 sizes
- Meets the requirements of the machine and military industry as regards to resistance to solvents, petrol and oil

Contents of the product package:

- Enclosure base
- Cover
- Cover screws
- Mounting screws

Further information

- Service offering, page 12–13
- Common enclosure accessories, page 42–46
- Product cards, dimensional drawings and 3D models can be found at ensto.com.

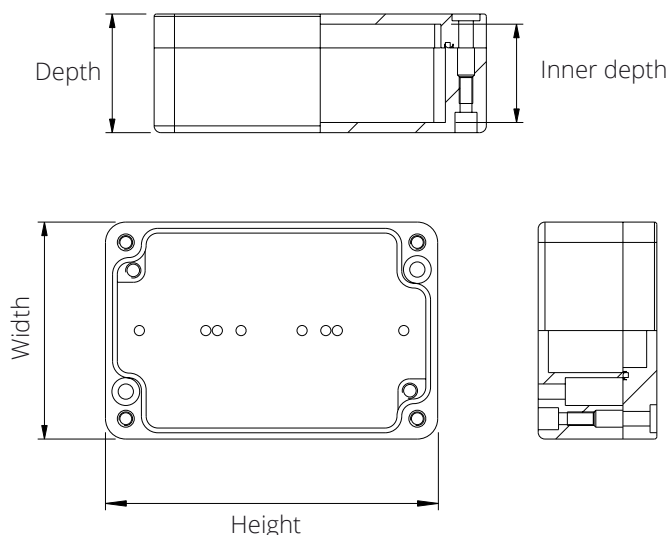
Technical information	
Degree of protection:	IP66
Impact resistance:	7 Nm
Operating temperature:	-40 °C... +110 °C
Material	
Base/cover:	Polyester-painted aluminium
Cover screws:	Stainless steel
Gasket:	PUR (polyurethane)
Enclosure side types	
Aluminium enclosures:	Plain sides
Standard color	
Base/cover:	Grey RAL 7001



Captive cover screws of stainless steel are included in the delivery of Ensto Cubo H enclosures. Mounting screws are integrated in the enclosure base.

Dimensions

You can find the following dimensions on the product tables. More information, product cards, dimensional drawings and 3D models can be found at ensto.com.



Ensto Cubo H enclosures

Width (mm)	Height (mm)	Depth (mm)	Inner depth (mm)	Polyester-painted aluminium plain sides (product code, GTIN-13)	Mounting plates, galvanized steel (product code, GTIN-13)	DIN rails, galvanized steel	
						DIN-15	DIN-35
50	45	30.0	24.5	HALP050503 6418677165450			
64	58	34.0	28.5	HALP060604 6418677165771			
	98	35.0	29.0	HALP061004 6418677165788		DR15.0610 6418677156991	
	150	35.0	27.5	HALP061504 6418677165795		DR15.0615 6418677157004	
80	75	57.5	51.5	HALP080806 6418677165801	HMP0808B 6418677157578	DR15.0808H 6418677157011	
	125	58.0	52.5	HALP081306 6418677165818	HMP0813B 6418677157585	DR15.0813 6418677157028	
		125.5	117.5	HALP081313 6438100088279	HMP0813B 6418677157585	DR15.0813 6418677157028	
	175	58.0	52.0	HALP081806 6418677165825	HMP0818B 6418677157592	DR15.0818 6418677157035	
	250	57.5	50.5	HALP082506 6418677165832		DR15.0825 6418677157042	
120	122	82.0	72.5	HALP121208 6438100090395	HMP1212B 6418677157608		DR35.1212 6418677157059
		92.5	83.0	HALP121209 6418677165849	HMP1212B 6418677157608		DR35.1212 6418677157059
	220	81.5	72.5	HALP122208 6438100088286	HMP1222B 6418677157615		DR35.1220 6418677157066
		91.0	82.5	HALP122009 6418677165856	HMP1222B 6418677157615		DR35.1220 6418677157066
121	360	82.5	72.5	HALP123608 6418677165863	HMP1236B 6418677157622		DR35.12/1636 6418677157073
160	160	92.0	82.0	HALP161609 6418677165870	HMP1616B 6418677157639		DR35.1616 6418677157080
	260	91.5	82.0	HALP162609 6418677165887	HMP1626B 6418677157646		DR35.1626 6418677157097
	360	91.5	82.0	HALP163609 6418677165894	HMP1636B 6418677157653		DR35.12/1636 6418677157073
	560	92.0	81.0	HALP165609 6418677165900	HMP1656B 6418677157660		DR35.1656 6418677157103
202	232	111.5	102.5	HALP202311 6418677165917	HMP2023B 6418677157677		DR35.2023 6418677157110
200	230	181.0	172.0	HALP202318 6418677165924	HMP2023B 6418677157677		DR35.2023 6418677157110
230	280	111.5	102.5	HALP232811 6418677165931	HMP2333B 6418677157691		DR35.2333 6418677157141
233	335	112.0	102.5	HALP233311 6418677165948	HMP2336B 6418677157714		DR35.23/3160 6418677157165
234	335	182.0	172.0	HALP233318 6418677165955	HMP2328B 6418677157684		DR35.2328 6418677157134
230	400.5	111.5	99.0	HALP234011 6418677165962	HMP2333B 6418677157691		DR35.2333 6418677157141
	600	114.0	101.5	HALP236011 6418677165979	HMP2340B 6418677157707		DR35.23/3140 6418677157158
310	403	111.5	100.5	HALP314011 6418677165986	HMP3160B 6418677157738		DR35.23/3160 6418677157165
		181.5	171.0	HALP314018 6418677165993	HMP3160B 6418677157738		DR35.23/3160 6418677157165
	601	112.0	102.0	HALP316011 6418677166006	HMP3140B 6418677157721		DR35.23/3140 6418677157158
		180.0	169.0	HALP316018 6418677166013	HMP3140B 6418677157721		DR35.23/3140 6418677157158

Other accessories

Product code	Description	Dimensions (mm)	Package size (pcs)	GTIN-13
HMHI2	Hinge pair	25 x 40 x 11.5	1	6418677165443



HALP050503



HALP163609



HMHI2



HMP0808B



DR15.0808H

Common enclosure accessories

We offer a wide range of accessories, for instance flanges, pole mounting brackets, thermal management accessories, cable glands, rubber grommets, expansion and reduction nipples.

Benefits of using our accessories



Wide range of accessories

We offer a wide range of high-quality accessories for industrial use.



Sourcing of third-party accessories

We offer our sourcing services in the event that our range does not cover all accessories suitable for your needs.



Assembly services

We also offer assembly services, saving you time and other resources and guaranteeing safe and reliable assemblies.

Flanges

Product code	Description	Dimensions (mm)	Package size (pcs)	GTIN-13
Cover plates for flange openings				
F1151	F1 size excl. gasket, PC/ABS	137 x 48	1	6418677171833
F2251	F2 size Includes PUR gasket, PC	216 x 86	1	6418677171949
Gland flanges				
F1165	F1 size, excl. gasket, 3 x M20, PC/ABS	137 x 48	1	6418677152641
F1166	F1 size, excl. gasket, 3 x M25, PC/ABS	137 x 48	1	6418677152658
F1167	F1 size, excl. gasket, 1 x M32, PC/ABS	137 x 48	1	6418677152665
F2157	F2 size, Includes PUR gasket, 3 x Pg21 + 4 x Pg16, PC	216 x 86	1	6418677171956
F2158	F2 size, Includes PUR gasket, 2 x Pg29 + 6 x Pg16, PC	216 x 86	1	6418677171963
F2159	F2 size, Includes PUR gasket, 2 x Pg36 + 4 x Pg16, PC	216 x 86	1	6418677171970
F2160	F2 size, Includes PUR gasket, 8 x Pg16, PC	216 x 86	1	6418677171987
F2161	F2 size, Includes PUR gasket, 10 x Pg13.5, PC	216 x 86	1	6418677171994
F2168	F2 size, Includes PUR gasket, 4 x M20 + 1 x M25 + 2 x M32, PC	216 x 86	1	6418677152672
F2169	F2 size, Includes PUR gasket, 6 x M20 + 1 x M32 + 1 x M40, PC	216 x 86	1	6418677152689
F2170	F2 size, Includes PUR gasket, 4 x M20 + 2 x M40, PC	216 x 86	1	6418677152696
F2171	F2 size, incl. PUR gasket, 8 x M20, PC	216 x 86	1	6418677152702
F2172	F2 size, incl. PUR gasket, 10 x M16, PC	216 x 86	1	6418677152719
Knockout flanges				
F2252	F2 size, Includes PUR gasket, 7 x Pg11 + 7 x Pg9/16, PC	216 x 86	1	6418677172113
F2253	F2 size, Includes PUR gasket, 2 x Pg21/29/36 + 2 x Pg9/16 + 1 x Pg11, PC	216 x 86	1	6418677172397
F2254	F2 size, Includes PUR gasket, 5 x Pg16/21 + 2 x Pg11 + 1 x Pg9/16, PC	216 x 86	1	6418677172403
F2255	F2 size, Includes PUR gasket, 7 x M16 + 7 x M12/20, PC	216 x 86	1	6418677172595
F2256	F2 size, Includes PUR gasket, 2 x M20/32/50 + 2 x M12/20 + 2 x M16, PC	216 x 86	1	6418677172625
F2257	F2 size, Includes PUR gasket, 5 x M20/32 + 2 x M16 + 1 x M12/20, PC	216 x 86	1	6418677172700
Membrane flanges				
F1201	F1 size, for 5x ø 7-30 mm cables, EPDM	138 x 48	1	6418677171871
F2202	F2 size, for 25 x ø 5-26 mm cables, EPDM	216 x 84	1	6418677172007
F2203	F2 size, for 35 x ø 5-26 mm cables, EPDM	216 x 84	1	6418677172014
F2204	F2 size, for 3 x ø 24-60 mm cables, EPDM	216 x 84	1	6418677172021
F1155	F1 size, excl. gasket, 3 x ø 21 + 4 x ø 15 mm, TPE	135 x 47	1	6418677171888
F1156	F1 size, excl. gasket, 4 x ø 16 + 6 x ø 13 mm, TPE	135 x 47	1	6418677171895
F2162	F2 size, excl. gasket, 3 x ø 30 + 6 x ø 18 + 16 x ø 14 mm, TPE	226 x 87	1	6418677172038
F2163	F2 size, excl. gasket, 9 x ø 18 + 24 x ø 14 mm, TPE	226 x 87	1	6418677172045
Membrane flange for steel enclosures only				
PMR331	F2 size, for cable ø: 37/32/27/22/17/12 mm	79 x 210 x 28	10	6418677163555

EPDM = ethylene propylene diene M-class rubber
TPE = thermoplastic elastomer



F2251



F2157



F2252



F2202

Flange accessories

Product code	Description	Dimensions (mm)	Package size (pcs)	GTIN-13
F2CE.1	Cable spreader for 1 cable	216 x 86 x 68	1	6418677181672
F2C50E	50 mm extension frame for F2 flange, polycarbonate	216 x 86 x 50	1	6418677173448
F1G	Self-adhesive flange gasket, F1 size	137 x 48	1	6418677171925
F2G	Self-adhesive flange gasket, F2 size	216 x 84	1	6418677172076
F1SS20	Flange bolt set, F1 size, steel bolt with plastic head	M6 x 20	1	6418677173066
F2SS20	Flange bolt set, F2 size, steel bolt with plastic head	M8 x 20	1	6418677171932
F2SS20L	Flange bolt set, F2 size, steel bolt with plastic head + steel connector	M8 x 20	1	6418677181689
F1PA25	Flange bolt set, F1 size, polyamide	M6 x 25	1	6418677173080
F2PA30	Flange bolt set, F2 size, polyamide	M8 x 30	1	6418677172083
PMR1857	Flange/base support for F2 size, polyamide	216 x 22	10	6418677172106
PMR1858	Isolating cup for support PMR1857, polyamide	ø 18 mm	20	6418677171796



Cable spreader for 1 cable, F2CE.1.

Flange and gland sets

Product code	Description	Dimensions (mm)	Package size (pcs)	GTIN-13
F2202KIT	Flange set, F2202, F2 size	84 x 215 x 40	1	6418677182556
F2CE.1T	Complete cable entry, F2 size	84 x 215 x 40	1	6418677181535
KTM1.1	Cable gland set: 2 x M12, 3 x M16, 2 x M20	135 x 210 x 25	1	6418677173233
KTM2.1	Cable gland set: 3 x M16, 2 x M20, 2 x M25	135 x 210 x 30	1	6418677173240
KTM3.1	Cable gland set: 4 x M20, 2 x M25, 1 x M32	135 x 210 x 55	1	6418677173257
F2GSS20T	Mounting kit for Cubo C bases, F2 size	200 x 250 x 15	1	6418677181504
OLSH1.2	Hinged and slotted cover screw, pair (blue)	130 x 170 x 15	1	6418677181511



Pole mounting brackets for Cubo O, C, W and N enclosures

Pole mounting brackets were designed to securely fasten your enclosure to a pole. The pole mounting brackets are a set of two rails or a plate with a pole clamp and needed screws.

Product code	Description	Dimensions (mm)	Package size (pcs)	GTIN-13
Sets of two rails				
PMB20	For 200 mm wide enclosure	28 x 35 x 195	1	6438100131739
PMB25	For 250 mm wide enclosure	28 x 35 x 245	1	6438100135430
PMB30	For 300 mm wide enclosure	28 x 35 x 295	1	6438100131753
PMB40	For 400 mm wide enclosure	28 x 35 x 395	1	6438100131760
PMB50	For 500 mm wide enclosure	28 x 35 x 495	1	6438100131777
PMB60	For 600 mm wide enclosure	28 x 35 x 595	1	6438100131784
Sets with a plate				
PMB2020	For 200 mm wide enclosure	41 x 200 x 205	1	6438100131746



Condensation and pressure relief

Product code	Description	Dimensions (mm)	Package size (pcs)	GTIN-13
Ventilation and drain valve				
BVD22	Ventilation device, IP55 type 4x, polycarbonate siloxane,	50 x 50 x 20	1	6438100161590
DWP1	Drain water plug, IP44, rubber	ø33	1	6418677172731
Breathers				
BPA10H	Breather, IP68, polyamide, grey, 120 l/h	ø19 x 17	1	6418677184314
BPA10HB	Breather, IP68, polyamide, black, 120 l/h	ø19 x 17	1	6418677184321



Ventilation device, IP55, BVD22.

Distance bushings

Product code	Description	Dimensions	Package size (pcs)	GTIN-13
PSK36.050	External ø 10 mm, aluminium	Length 5.0 mm	100	6418677166907
PSK36.085	External ø 10 mm, aluminium	Length 8.5 mm	100	6418677166914
PSK36.100	External ø 10 mm, aluminium	Length 10.0 mm	100	6418677166921
PSK36.120	External ø 10 mm, aluminium	Length 12.0 mm	100	6418677166938
PSK36.150	External ø 10 mm, aluminium	Length 15.0 mm	100	6418677166945
PSK36.200	External ø 10 mm, aluminium	Length 20.0 mm	100	6418677166952
PSK36.250	External ø 10 mm, aluminium	Length 25.0 mm	100	6418677166969
PSK36.300	External ø 10 mm, aluminium	Length 30.0 mm	50	6418677166976
PSK36.350	External ø 10 mm, aluminium	Length 35.0 mm	50	6418677166983
PSK36.400	External ø 10 mm, aluminium	Length 40.0 mm	50	6418677166990
PSK36.450	External ø 10 mm, aluminium	Length 45.0 mm	50	6418677167003
PSK36.500	External ø 10 mm, aluminium	Length 50.0 mm	50	6418677167010



BPA10H



DWP1



PMB20



PSK36.150

Cable glands, metric thread

Dimensions	Cable gland, grey polyamide with strain relief, IP68 (product code, GTIN-13)	Cable gland, grey polyamide with strain relief, IP68, long thread (product code, GTIN-13)	Counter nut grey polyamide (product code, GTIN-13)	Cover plug grey polyamide (product code, GTIN-13)
M12	KTM24.12 6416031851124 Cable Ø 3-6.5 mm, thread length 8 mm		PMR1218.12 6416031859120	PMR1217.12 6416031853128
M16	KTM24.16 6416031851162 Cable Ø 5-10 mm, thread length 10 mm	KTM24.16L 6418677171062 Cable Ø 5-10 mm, thread length 15 mm	PMR1218.16 6416031859168	PMR1217.16 6416031853166
M20	KTM24.20 6416031851209 Cable Ø 10-14 mm, thread length 10 mm	KTM24.20L 6418677171079 Cable Ø 10-14 mm, thread length 15 mm	PMR1218.20 6416031859205	PMR1217.20 6416031853203
M25	KTM24.25 6416031851254 Cable Ø 13-18 mm, thread length 10 mm	KTM24.25L 6418677171086 Cable Ø 13-18 mm, thread length 15 mm	PMR1218.25 6416031859250	PMR1217.25 6416031853258
M32	KTM24.32 6416031851322 Cable Ø 18-25 mm, thread length 18 mm		PMR1218.32 6416031859328	PMR1217.32 6416031853326
M40	KTM24.40 6416031851407 Cable Ø 22-32 mm, thread length 18 mm		PMR1218.40 6416031859403	PMR1217.40 6416031853401
M50	KTM24.50 6416031851506 Cable Ø 30-38 mm, thread length 18 mm		PMR1218.50 6416031859502	PMR1217.50 6416031853500
M63	KTM24.63 6418677171031 Cable Ø 34-44 mm, thread length 18 mm		PMR1218.63 6418677171048	PMR1217.63 6418677171055



KTM24.12



KT24.07

Cable glands, Pg thread

Dimensions	Cable gland, grey polyamide with strain relief, IP68 (product code, GTIN-13)	Cable gland, black polyamide with strain relief, IP68 (product code, GTIN-13)	Counter nut grey polyamide (product code, GTIN-13)	Blind plug grey polyamide (product code, GTIN-13)
Pg7	KT24.07 6418677170836 Cable Ø 3-6 mm, thread length 8 mm	KT24.07/BLACK 6418677158803 Cable Ø 2-5 mm, thread length 8 mm	PMR444.07 6418677170935	PMR442.07 6418677169960
Pg9	KT24.09 6418677170843 Cable Ø 4-8 mm, thread length 8 mm	KT24.09/BLACK 6418677158810 Cable Ø 2-6 mm, thread length 8 mm	PMR444.09 6418677170942	PMR442.09 6418677169403
Pg11	KT24.11 6418677170850 Cable Ø 5-10 mm, thread length 8 mm	KT24.11/BLACK 6418677158827 Cable Ø 3-7 mm, thread length 8 mm	PMR444.11 6418677170959	PMR442.11 6418677169410
Pg13.5	KT24.13 6418677170867 Cable Ø 6-12 mm, thread length 9 mm	KT24.13/BLACK 6418677158834 Cable Ø 5-9 mm, thread length 9 mm	PMR444.13 6418677170966	PMR442.13 6418677169427
Pg16	KT24.16 6418677170874 Cable Ø 10-13 mm, thread length 10 mm	KT24.16/BLACK 6418677158841 Cable Ø 7-12 mm, thread length 10 mm	PMR444.16 6418677170973	PMR442.16 6418677169434
Pg21	KT24.21 6418677170881 Cable Ø 13-18 mm, thread length 11 mm	KT24.21/BLACK 6418677158858 Cable Ø 9-16 mm, thread length 11 mm	PMR444.21 6418677170980	PMR442.21 6418677169441
Pg29	KT24.29 6418677170898 Cable Ø 18-25 mm, thread length 11 mm	KT24.29/BLACK 6418677158865 Cable Ø 12-20 mm, thread length 11 mm	PMR444.29 6418677170997	PMR442.29 6418677169458
Pg36	KT24.36 6418677170904 Cable Ø 22-31 mm, thread length 13 mm	KT24.36/BLACK 6418677158872 Cable Ø 20-26 mm, thread length 13 mm	PMR444.36 6418677171000	PMR442.36 6418677169465
Pg42	KT24.42 6418677170911 Cable Ø 30-38 mm, thread length 13 mm	KT24.42/BLACK 6418677158889 Cable Ø 25-31 mm, thread length 13 mm	PMR444.42 6418677171017	
Pg48	KT24.48 6418677170928 Cable Ø 34-44 mm, thread length 14 mm	KT24.48/BLACK 6418677158896 Cable Ø 29-35 mm, thread length 14 mm	PMR444.48 6418677171024	



KT24.16/BLACK



PMR1218.12



PMR1217.12

Enlargers and reducers, metric thread

Dimensions	Expansion nipple grey polyamide (Product code, GTIN-13)	Expansion nipple grey polyamide, M > Pg (Product code, GTIN-13)	Reduction nipple grey polyamide (Product code, GTIN-13)
M12	PMR1220.1216 6416031856129 M12 > M16	PMR1221.1209 6416031855122 M12 > Pg9	
M16	PMR1220.1620 6416031856167 M16 > M20	PMR1221.1609 6416031855160 M16 > Pg9	PMR1219.1612 6416031854163 M16 > M12
M20	PMR1220.2025 6416031856204 M20 > M25	PMR1221.2011 6416031855207 M20 > Pg11	PMR1219.2012 6416031854200 M20 > M12
		PMR1221.2013 6416031855214 M20 > Pg13.5	PMR1219.2016 6416031854217 M20 > M16
M32	PMR1220.2532 6416031856259 M25 > M32	PMR1221.2516 6416031855252 M25 > Pg16	PMR1219.2512 6416031854255 M25 > M12
		PMR1221.2521 6416031855269 M25 > Pg21	PMR1219.2516 6416031854262 M25 > M16
			PMR1219.2520 6416031854279 M25 > M20
M40	PMR1220.3240 6416031856327 M32 > M40	PMR1221.3229 6416031855320 M32 > Pg29	PMR1219.3216 6416031854330 M32 > M16
			PMR1219.3220 6416031854347 M32 > M20
			PMR1219.3225 6416031854354 M32 > M25
M40		PMR1221.4029 6416031855405 M40 > Pg29	PMR1219.4020 6416031854415 M40 > M20
			PMR1219.4025 6416031854422 M40 > M25
			PMR1219.4032 6416031854439 M40 > M32
M50		PMR1221.5036 6416031855504 M50 > Pg36	PMR1219.5025 6416031854514 M50 > M25
		PMR1221.5042 6416031855511 M50 > Pg42	PMR1219.5032 6416031854521 M50 > M32
			PMR1219.5040 6416031854538 M50 > M40
M63		PMR1221.6348 641603185634 M63 > Pg48	PMR1219.6332 6416031854644 M63 > M32
			PMR1219.6340 6416031854651 M63 > M40
			PMR1219.6350 6416031854668 M63 > M50



PMR1220.1216



PMR1221.1209



PMR1219.1612



PMR439.111

Inspection windows, polycarbonate

Product code	Description	Dimensions (mm)	Package size (pcs)	GTIN-13
Hinged windows				
VMA2	For 2 modules	67 x 59	1	6418677151170
VMA4	For 4 modules	67 x 94	1	6418677151187
VMA6	For 6 modules	67 x 130	1	6418677151194
VMA8	For 8 modules	67 x 163	1	6418677151200
VMA10	For 10 modules	67 x 200	1	6418677151217
VMA12	For 12 modules	67 x 233	1	6418677151224
Window				
VMA1519	Opening: 113 x 153 mm, includes screws	150 x 190 x 10	1	6418677174193



VMA2



VMA1519

Enlargers and reducers and conduit fittings, Pg thread

Dimensions	Expansion nipple grey polyamide (Product code, GTIN-13)	Reduction nipple grey polyamide (Product code, GTIN-13)
Pg9	PMR440.094 6418677169564 Pg9 > Pg11	
Pg11	PMR440.114 6418677169571 Pg11 > Pg16	PMR439.111 6418677169472 Pg11 > Pg9
Pg13.5	PMR440.134 6418677169588 Pg13.5 > Pg16	PMR439.131 6418677169489 Pg13.5 > Pg11
Pg16	PMR440.164 6418677169595 Pg16 > Pg21	PMR439.161 6418677169496 Pg16 > Pg9
		PMR439.162 6418677169502 Pg16 > Pg11

Dimensions	Expansion nipple grey polyamide (Product code, GTIN-13)	Reduction nipple grey polyamide (Product code, GTIN-13)
Pg21	PMR440.214 6418677169601 Pg21 > Pg29	PMR439.211 6418677169519 Pg21 > Pg11
		PMR439.212 6418677169526 Pg21 > Pg16
Pg29	PMR440.294 6418677169618 Pg29 > Pg36	PMR439.291 6418677169533 Pg29 > Pg16
		PMR439.292 6418677169540 Pg29 > Pg21
Pg36		PMR439.361 6418677169557 Pg36 > Pg29

Rubber grommets, metric thread



Rubber grommets, Pg thread



Dimensions	Membrane gasket (product code, GTIN-13)	Membrane gasket, V-0 (product code, GTIN-13)
M12	RGM12 6438100143442 Cable Ø 4-7 mm	RGM12.V0 6438100143305 Cable Ø 3-5 mm
M16	RGM16 6438100143459 Cable Ø 5-9 mm	RGM16.V0 6438100143312 Cable Ø 5-7 mm
M20	RGM20 6438100143466 Cable Ø 8-13 mm	RGM20.V0 6438100143329 Cable Ø 7-10 mm
M25	RGM25 6438100143473 Cable Ø 11-17 mm	RGM25.V0 6438100143336 Cable Ø 10-14 mm
M32	RGM32 6438100143480 Cable Ø 15-20 mm	RGM32.V0 6438100143343 Cable Ø 14-20 mm
M40	RGM40 6438100143497 Cable Ø 19-28 mm	RGM40.V0 6438100143350 Cable Ø 20-26 mm
M50	RGM50 6438100143503 Cable Ø 27-35 mm	RGM50.V0 6438100143367 Cable Ø 26-35 mm

Dimensions	Membrane gasket (product code, GTIN-13)	Membrane gasket, V-0 (product code, GTIN-13)
PG11	RGP11 6438100143398 Cable Ø 7-10 mm	RGP11.V0 6438100143251 Cable Ø 7-10 mm
PG16	RGP16 6438100143404 Cable Ø 10-14 mm	RGP16.V0 6438100143268 Cable Ø 10-14 mm
PG21	RGP21 6438100143411 Cable Ø 14-20 mm	RGP21.V0 6438100143275 Cable Ø 14-20 mm
PG29	RGP29 6438100143428 Cable Ø 20-26 mm	RGP29.V0 6438100143282 Cable Ø 20-26 mm
PG36	RGP36 6438100143435 Cable Ø 26-35 mm	RGP36.V0 6438100143299 Cable Ø 26-35 mm
PG7	RGP7 6438100143374 Cable Ø 3-5 mm	RGP7.V0 6438100143237 Cable Ø 3-5 mm
PG9	RGP9 6438100143381 Cable Ø 5-7 mm	RGP9.V0 6438100143244 Cable Ø 5-7 mm

Other accessories

Product code	Description	Dimensions (mm)	Package size (pcs)	GTIN-13
PMR70.1612	Wiring plug, cable lead-through 16 mm, 12 ea./set	ø 20/16	5	6418677163784
PMR1387	Plug for cover panel, ø 6 mm hole	20 x 31 x 6	100	6418677166730
PME1	Cover plate, width 45 mm, length 2 m (PVC)	45 x 2000 x 7	1	6418677166747
KY2.15	Plastic latch, 15 mm closing space	ø 23 x 26	100	6418677166754
ST80/U	Delta key, Δ 11 mm	34 x 52 x 16	10	6418677170430
KY1.20	Fixing screw for kWh meter	M5 x 22	100	6418677166792
PTK14	Sealing screw, M4 x 10/16mm	L = 16	100	6418677166808
PTK13	Sealing screw, M4 x 16/22mm	L = 22	100	6418677166815
PTK11	Sealing screw, M4 x 20/25mm	L = 25	100	6418677166822
PLE152	Sealing screw, F4,2 x 16/21 mm	L = 21	100	6418677166839



Wiring plug, PMR70.1612

KG84	28	MODAB61PN	32	NMP3040	36	OFF46A	30	OPCP203006E	27
KG85	28	MODAB81PN	32	NMP4040	36	OHFP22	30	OPCP203010B	27
KG86	28	MODAB121PN	32	NMP4050	36	OHFP22A	30	OPCP203013G	25
KG87	28	MODAB181PN	32	NMP4060	36	OHFP23A	30	OPCP203013G.U	25
KGH1.05	28	MODAB242PN	32	NMP5060	36	OHFP24A	30	OPCP203013T	25
KGH1.10	28	MODAB362PN	32	NMP6080	36	OHFP32A	30	OPCP203013T.U	25
KJ8.13	28	MODAB363PN	32	NPD3041	36	OHFP33A	30	OPCP203018G	25
KJ8.14	28	MODAB543PN	32			OHFP34A	30	OPCP203018G.U	25
KJ8.23	28	MODB25M	32			OHFP36A	30	OPCP203018T	25
KJ8.24	28	MODB40M	32	O		OHFP42A	30	OPCP203018T.U	25
KN15.315	30	MODD041	32	OABG202003L	27	OHFP43A	30	OPCP204006E	27
KN15.423	30	MODD061	32	OABG203003L	27	OHFP46A	30	OPCP204010B	27
KN16.330	30	MODD081	32	OABG204003L	27	OHFP63A	30	OPCP204013G	25
KN16.436	30	MODD121	32	OABG303003L	27	OHFP64A	30	OPCP204013G.U	25
KN17.332	30	MODD181	32	OABG304003L	27	OHI1	29	OPCP204013T	25
KN17.436	30	MODD242	32	OABG306003L	27	OHICP1	29	OPCP204013T.U	25
KR8121	33	MODD362	32	OABG400003L	27	OKL1	29	OPCP204018G	25
KT24.07	44	MODD363	32	OABG404003L	27	OLS32	29	OPCP204018G.U	25
KT24.07/BLACK	44	MODD543	32	OABG406003L	27	OLS42	29	OPCP204018T	25
KT24.09	44	MODHI1	32	OABP202010B	27	OLS42N	29	OPCP204018T.U	25
KT24.09/BLACK	44	MODHI2	32	OABP202013G	25	OLSA42.4	29	OPCP303006E	27
KT24.11	44	MODKL1	32	OABP202013T	25	OLSA42.6	29	OPCP303010B	27
KT24.11/BLACK	44	MODKL2	32	OABP202018G	25	OLSH1	29	OPCP303013G	25
KT24.13	44	MODKL3	32	OABP202018T	25	OLSH1.2	42	OPCP303013G.U	25
KT24.13/BLACK	44			OABP203010B	27	OLT42	29	OPCP303013T	25
KT24.16	44			OABP203013G	25	OLT42KEY	29	OPCP303013T.U	25
KT24.16/BLACK	44	N		OABP203013T	25	OLTA42.4	29	OPCP303018G	25
KT24.21	44			OABP203018G	25	OLTA42.6	29	OPCP303018G.U	25
KT24.21/BLACK	44	NDIN1	36	OABP203018T	25	OLTA42.041	29	OPCP303018T	25
KT24.29	44	NFL1	36	OABP204010B	27	OLW55	29	OPCP303018T.U	25
KT24.29/BLACK	44	NFL2	36	OABP204013G	25	OLWA55.4	29	OPCP304006E	27
KT24.36	44	NGRMP2530	36	OABP204013T	25	OLWA55.6	29	OPCP304010B	27
KT24.36/BLACK	44	NGRMP3040	36	OABP204018G	25	OLWH1	29	OPCP304013G	25
KT24.42	44	NGRMP4040	36	OABP204018T	25	OMP2020	28	OPCP304013G.U	25
KT24.42/BLACK	44	NGRMP4050	36	OABP303010B	27	OMP2030	28	OPCP304013T	25
KT24.48	44	NGRMP4060	36	OABP303013G	25	OMP2040	28	OPCP304013T.U	25
KT24.48/BLACK	44	NGRMP5060	36	OABP303013T	25	OMP3030	28	OPCP304018G	25
KTM1.1	42	NGRMP6080	36	OABP303018G	25	OMP3040	28	OPCP304018G.U	25
KTM2.1	42	NGRP253014	35	OABP303018T	25	OMP3060	28	OPCP304018T	25
KTM3.1	42	NGRP253014.U	35	OABP304010B	27	OMP4040	28	OPCP304018T.U	25
KTM24.12	44	NGRP304020	35	OABP304013G	25	OMP4060	28	OPCP306006E	27
KTM24.16	44	NGRP304020P3SH	35	OABP304013T	25	OMS1	29	OPCP306010B	27
KTM24.16L	44	NGRP304020.U	35	OABP304018G	25	OPCG36KWH	27	OPCP306013G	25
KTM24.20	44	NGRP404020	35	OABP304018T	25	OPCG202003L	27	OPCP306013G.U	25
KTM24.20L	44	NGRP404020P3SH	35	OABP306010B	27	OPCG203003L	27	OPCP306013T	25
KTM24.25	44	NGRP404020.U	35	OABP306013G	25	OPCG204003L	27	OPCP306013T.U	25
KTM24.25L	44	NGRP405020	35	OABP306013T	25	OPCG303003L	27	OPCP306018G	25
KTM24.32	44	NGRP405020P3SH	35	OABP306018G	25	OPCG304003L	27	OPCP306018G.U	25
KTM24.40	44	NGRP405020.U	35	OABP306018T	25	OPCG306003L	27	OPCP306018T	25
KTM24.50	44	NGRP406023	35	OABP404010B	27	OPCG404003L	27	OPCP306018T.U	25
KTM24.63	44	NGRP406023P3SH	35	OABP404013G	25	OPCG406003L	27	OPCP404006E	27
KWHP3040	28	NGRP406023.U	35	OABP404013T	25	OPCM303010B	27	OPCP404010B	27
KWHP3060	28	NGRP506023	35	OABP404018G	25	OPCM303013G	25	OPCP404013G	25
KWHP4040	28	NGRP506023P3SH	35	OABP404018T	25	OPCM303013G.U	25	OPCP404013G.U	25
KWHP4060	28	NGRP506023.U	35	OABP406010B	27	OPCM303013T	25	OPCP404013T	25
KY1.20	46	NGRP608030	35	OABP406013G	25	OPCM303013T.U	25	OPCP404013T.U	25
KY2.15	46	NGRP608030P3SH	35	OABP406013T	25	OPCM303018G	25	OPCP404018G	25
		NGRP608030.U	35	OABP406018G	25	OPCM303018G.U	25	OPCP404018G.U	25
		NGRP806030	35	OABP406018T	25	OPCM303018T	25	OPCP404018T.U	25
		NGRP806030P3SH	35	OBIA1	29	OPCM303018T.U	25	OPCP406006E	27
		NGRW253014	35	OBIA1.04	29	OPCM304010B	27	OPCP406010B	27
		NGRW253014.U	35	OBS15	29	OPCM304013G	25	OPCP406013G	25
		NGRW304020	35	OBS15.04	29	OPCM304013G.U	25	OPCP406013G.U	25
		NGRW304020.U	35	OBS20	29	OPCM304013T	25	OPCP406013T	25
		NGRW404020	35	OBS20.04	29	OPCM304013T.U	25	OPCP406013T.U	25
		NGRW404020.U	35	OBS30	29	OPCM304018G	25	OPCP406018G	25
		NGRW405020	35	OBS30.04	29	OPCM304018G.U	25	OPCP406018G.U	25
		NGRW405020.U	35	OCS1	29	OPCM304018T	25	OPCP406018T	25
		NGRW406023	35	OCS22.46	29	OPCM304018T.U	25	OPCP406018T.U	25
		NGRW406023.U	35	OEL1	29	OPCM306010B	27	OPCT202003L	27
		NGRW506023	35	OELA1.04	29	OPCM306013G	25	OPCT203003L	27
		NGRW506023.U	35	OES1	29	OPCM306013G.U	25	OPCT204003L	27
		NGRW608030	35	OESA1.04	29	OPCM306013T	25	OPCT303003L	27
		NGRW608030.U	35	OESA1.06	29	OPCM306013T.U	25	OPCT304003L	27
		NID3040	36	OFL1	29	OPCM306018G	25	OPCT306003L	27
		NID4040	36	OFF22	30	OPCM306018G.U	25	OPCT404003L	27
		NID4050	36	OFF22A	30	OPCM306018T	25	OPCT406003L	27
		NID4060	36	OFF23	30	OPCM306018T.U	25	OPHFA1.04	29, 30
		NID5060	36	OFF23A	30	OPCP202006E	27	OTS1	29
		NID6080	36	OFF24	30	OPCP202010B	27	OTS1.04	29
		NKL1	36	OFF24A	30	OPCP202013G	25		
		NMC3040.24	36	OFF33	30	OPCP202013G.U	25		
		NMC4040.36	36	OFF33A	30	OPCP202013T	25	P	
		NMC4050.54	36	OFF34	30	OPCP202013T.U	25	PLE152	46
		NMC4060.54	36	OFF34A	30	OPCP202018G	25	PLS63	29
		NMC5060.69	36	OFF36	30	OPCP202018G.U	25	PMB20	43
		NMC6080.116	36	OFF36A	30	OPCP202018T	25	PMB25	43
		NMP2530	36	OFF46	30	OPCP202018T.U	25		

PMB30.....	43	PMR1858.....	42	SABP131308LT.....	19	SPCK131308T.U.....	21	SPCM131310T.U.....	20
PMB40.....	43	PRE2.14.....	28	SABP131308T.....	19	SPCK131310G.....	21	SPCM131313G.....	20
PMB50.....	43	PRE3.32.....	28	SABP131310G.....	19	SPCK131310G.U.....	21	SPCM131313G.U.....	20
PMB60.....	43	PRE3.14.....	28	SABP131310LG.....	19	SPCK131310T.....	21	SPCM131313T.....	20
PMB2020.....	43	PRE3.32.....	28	SABP131310LT.....	19	SPCK131310T.U.....	21	SPCM131313T.U.....	20
PME1.....	46	PRE4.14.....	28	SABP131310T.....	19	SPCK131313G.....	21	SPCM131806G.....	20
PMR30.....	46	PRE4.32.....	28	SABP131313G.....	19	SPCK131313G.U.....	21	SPCM131806G.U.....	20
PMR331.....	42	PRE75.14.....	28	SABP131313T.....	19	SPCK131313T.....	21	SPCM131806T.....	20
PMR439.211.....	46	PRE75.32.....	28	SABP131804LG.....	19	SPCK131313T.U.....	21	SPCM131806T.U.....	20
PMR439.212.....	46	PSK36.050.....	43	SABP131804LT.....	19	SPCK131806G.....	21	SPCM131806G.U.....	20
PMR439.291.....	46	PSK36.085.....	43	SABP131805LG.....	19	SPCK131806G.U.....	21	SPCM131808G.....	20
PMR439.292.....	46	PSK36.100.....	43	SABP131805LT.....	19	SPCK131806T.....	21	SPCM131808G.U.....	20
PMR439.361.....	46	PSK36.120.....	43	SABP131806G.....	19	SPCK131806T.U.....	21	SPCM131808T.....	20
PMR440.094.....	46	PSK36.150.....	43	SABP131806T.....	19	SPCK131808G.....	21	SPCM131808T.U.....	20
PMR440.114.....	46	PSK36.200.....	43	SABP131808G.....	19	SPCK131808G.U.....	21	SPCM131810G.....	20
PMR440.134.....	46	PSK36.250.....	43	SABP131808LG.....	19	SPCK131808T.....	21	SPCM131810G.U.....	20
PMR440.164.....	46	PSK36.300.....	43	SABP131808LT.....	19	SPCK131808T.U.....	21	SPCM131810T.....	20
PMR440.214.....	46	PSK36.350.....	43	SABP131808T.....	19	SPCK131810G.....	21	SPCM131810T.U.....	20
PMR440.294.....	46	PSK36.400.....	43	SABP131810G.....	19	SPCK131810G.U.....	21	SPCM131813G.....	20
PMR442.07.....	44	PSK36.450.....	43	SABP131810LG.....	19	SPCK131810T.....	21	SPCM131813G.U.....	20
PMR442.09.....	44	PSK36.500.....	43	SABP131810LT.....	19	SPCK131810T.U.....	21	SPCM131813T.....	20
PMR442.11.....	44	PTK11.....	46	SABP131810T.....	19	SPCK131810T.U.....	21	SPCM131813T.U.....	20
PMR442.13.....	44	PTK13.....	46	SABP131813G.....	19	SPCK131813G.....	21	SPCM131815G.....	20
PMR442.16.....	44	PTK14.....	46	SABP131813LG.....	19	SPCK131813G.U.....	21	SPCM131815G.U.....	20
PMR442.21.....	44			SABP131813LT.....	19	SPCK131813T.....	21	SPCM131815T.....	20
PMR442.29.....	44			SABP131813T.....	19	SPCK131813T.U.....	21	SPCM131815T.U.....	20
PMR442.36.....	44			SABP131815G.....	19	SPCK131815G.....	21	SPCM132513G.....	20
PMR444.07.....	44			SABP131815T.....	19	SPCK131815G.U.....	21	SPCM132513G.U.....	20
PMR444.09.....	44			SABP132513G.....	19	SPCK131815T.....	21	SPCM132513T.....	20
PMR444.11.....	44	RGM12.....	46	SABP132513T.....	19	SPCK131815T.U.....	21	SPCM132513T.U.....	20
PMR444.13.....	44	RGM12.V0.....	46	SABP181808G.....	19	SPCK181808G.....	21	SPCM181808G.....	20
PMR444.16.....	44	RGM16.....	46	SABP181808T.....	19	SPCK181808G.U.....	21	SPCM181808G.U.....	20
PMR444.21.....	44	RGM16.V0.....	46	SABP181808T.....	19	SPCK181808T.....	21	SPCM181808T.....	20
PMR444.29.....	44	RGM20.....	46	SABP181810G.....	19	SPCK181808T.U.....	21	SPCM181808T.U.....	20
PMR444.36.....	44	RGM20.V0.....	46	SABP181810T.....	19	SPCK181810G.....	21	SPCM181810G.....	20
PMR444.42.....	44	RGM25.....	46	SABP181813G.....	19	SPCK181810G.U.....	21	SPCM181810G.U.....	20
PMR444.48.....	44	RGM25.V0.....	46	SABP181813T.....	19	SPCK181810T.....	21	SPCM181810T.....	20
PMR1217.12.....	44	RGM32.....	46	SABP181815G.....	19	SPCK181810T.U.....	21	SPCM181810T.U.....	20
PMR1217.16.....	44	RGM32.V0.....	46	SABP181815T.....	19	SPCK181813G.....	21	SPCM181813G.....	20
PMR1217.20.....	44	RGM40.....	46	SABP182508G.....	19	SPCK181813G.U.....	21	SPCM181813G.U.....	20
PMR1217.25.....	44	RGM40.V0.....	46	SABP182508T.....	19	SPCK181813T.....	21	SPCM181813T.....	20
PMR1217.32.....	44	RGM50.....	46	SABP182510G.....	19	SPCK181813T.U.....	21	SPCM181813T.U.....	20
PMR1217.40.....	44	RGM50.V0.....	46	SABP182510T.....	19	SPCK181815G.....	21	SPCM181815G.....	20
PMR1217.50.....	44	RGP7.....	46	SABP182515G.....	19	SPCK181815G.U.....	21	SPCM181815G.U.....	20
PMR1217.63.....	44	RGP7.V0.....	46	SABP182515T.....	19	SPCK181815T.....	21	SPCM181815T.....	20
PMR1218.12.....	44	RGP9.....	46	SBI1.....	21	SPCK181815T.U.....	21	SPCM181815T.U.....	20
PMR1218.16.....	44	RGP9.V0.....	46	SBI1.04.....	21	SPCK182508G.....	21	SPCM182508G.....	20
PMR1218.20.....	44	RGP11.....	46	SBS40.....	21	SPCK182508G.U.....	21	SPCM182508G.U.....	20
PMR1218.25.....	44	RGP11.V0.....	46	SCP08.....	21	SPCK182508T.....	21	SPCM182508T.....	20
PMR1218.32.....	44	RGP16.....	46	SCP10.....	21	SPCK182508T.U.....	21	SPCM182508T.U.....	20
PMR1218.40.....	44	RGP16.V0.....	46	SCP1315.....	21	SPCK182510G.....	21	SPCM182510G.....	20
PMR1218.50.....	44	RGP21.....	46	SFL1.....	21	SPCK182510G.U.....	21	SPCM182510G.U.....	20
PMR1218.63.....	44	RGP21.V0.....	46	SLS35.....	21	SPCK182510T.....	21	SPCM182510T.....	20
PMR1219.1612.....	45	RGP29.....	46	SLS60.....	21	SPCK182510T.U.....	21	SPCM182510T.U.....	20
PMR1219.2012.....	45	RGP29.V0.....	46	SLSA23.04.....	21	SPCK182515G.....	21	SPCM182515G.....	20
PMR1219.2016.....	45	RGP36.....	46	SLSA35.04.....	21	SPCK182515G.U.....	21	SPCM182515G.U.....	20
PMR1219.2512.....	45	RGP36.V0.....	46	SLSA60.04.....	21	SPCK182515T.....	21	SPCM182515T.....	20
PMR1219.2516.....	45			SLW1.....	21	SPCK182515T.U.....	21	SPCM182515T.U.....	20
PMR1219.2520.....	45			SMP0813.....	20	SPCM081306G.....	20	SPCP081304LG.....	19
PMR1219.3216.....	45			SMP1010.....	20	SPCM081306G.U.....	20	SPCP081304LT.U.....	19
PMR1219.3220.....	45	SABP081304LG.....	19	SMP1313.....	20	SPCM081306T.....	20	SPCP081304LT.U.....	19
PMR1219.3225.....	45	SABP081304LT.....	19	SMP1318.....	20	SPCM081306T.U.....	20	SPCP081305LG.....	19
PMR1219.4020.....	45	SABP081305LG.....	19	SMP1325.....	20	SPCM081308G.....	20	SPCP081305LG.....	19
PMR1219.4025.....	45	SABP081305LT.....	19	SMP1818.....	20	SPCM081308G.U.....	20	SPCP081305LT.U.....	19
PMR1219.5025.....	45	SABP081306G.....	19	SMP1825.....	20	SPCM081308T.....	20	SPCP081305LT.U.....	19
PMR1219.5032.....	45	SABP081306T.....	19	SMS1.....	21	SPCM081308T.U.....	20	SPCP081305LT.U.....	19
PMR1219.5040.....	45	SABP081308G.....	19	SPCK081306G.....	21	SPCM081310G.....	20	SPCP081305LT.U.....	19
PMR1219.6332.....	45	SABP081308LG.....	19	SPCK081306G.U.....	21	SPCM081310G.U.....	20	SPCP081306G.....	19
PMR1219.6340.....	45	SABP081308LT.....	19	SPCK081306T.....	21	SPCM081310T.....	20	SPCP081306T.....	19
PMR1219.6350.....	45	SABP081308T.....	19	SPCK081306T.U.....	21	SPCM081310T.U.....	20	SPCP081306T.U.....	19
PMR1220.1216.....	45	SABP081308T.....	19	SPCK081308G.....	21	SPCM081313G.....	20	SPCP081308G.....	19
PMR1220.1620.....	45	SABP081310G.....	19	SPCK081308G.U.....	21	SPCM081313G.U.....	20	SPCP081308LG.....	19
PMR1220.2025.....	45	SABP081310LT.....	19	SPCK081308T.....	21	SPCM081313T.....	20	SPCP081308LT.....	19
PMR1220.2532.....	45	SABP081310T.....	19	SPCK081308T.U.....	21	SPCM081313T.U.....	20	SPCP081308LT.U.....	19
PMR1220.3240.....	45	SABP081313G.....	19	SPCK081310G.....	21	SPCM101006G.....	20	SPCP081308LT.U.....	19
PMR1221.1209.....	45	SABP081313T.....	19	SPCK081310G.U.....	21	SPCM101006G.U.....	20	SPCP081308T.....	19
PMR1221.1609.....	45	SABP081313T.....	19	SPCK081310T.....	21	SPCM101006T.....	20	SPCP081308T.U.....	19
PMR1221.2011.....	45	SABP081313T.....	19	SPCK081310T.U.....	21	SPCM101006T.U.....	20	SPCP081310G.....	19
PMR1221.2013.....	45	SABP101004LT.....	19	SPCK081313G.....	21	SPCM101006T.U.....	20	SPCP081310G.U.....	19
PMR1221.2516.....	45	SABP101006G.....	19	SPCK081313G.U.....	21	SPCM131306G.....	20	SPCP081310G.U.....	19
PMR1221.2521.....	45	SABP101006T.....	19	SPCK081313T.....	21	SPCM131306G.U.....	20	SPCP081310LG.....	19
PMR1221.3229.....	45	SABP131304LG.....	19	SPCK081313T.U.....	21	SPCM131306T.....	20	SPCP081310LG.U.....	19
PMR1221.3229.....	45	SABP131304LT.....	19	SPCK131306G.....	21	SPCM131306T.U.....	20	SPCP081310LT.....	19
PMR1221.4029.....	45	SABP131305LG.....	19	SPCK131306G.U.....	21	SPCM131308G.....	20	SPCP081310LT.U.....	19
PMR1221.5036.....	45	SABP131305LT.....	19	SPCK131306T.....	21	SPCM131308G.U.....	20	SPCP081310T.....	19
PMR1221.5042.....	45	SABP131306G.....	19	SPCK131306T.U.....	21	SPCM131308T.....	20	SPCP081310T.U.....	19
PMR1221.6348.....	45	SABP131306T.....	19	SPCK131306T.U.....	21	SPCM131308T.U.....	20	SPCP081313G.....	19
PMR1387.....	46	SABP131308G.....	19	SPCK131308G.....	21	SPCM131308T.U.....	20	SPCP081313G.U.....	19
PMR1857.....	42	SABP131308LG.....	19	SPCK131308T.....	21	SPCM131310G.....	20	SPCP081313T.....	19
				SPCK131308T.U.....	21	SPCM131310G.U.....	20	SPCP081313T.U.....	19

R

S

SPCP101004LG.....	19	SPCP131804LG.U.....	19	SPCP132513T.....	19	V	WPCP303018G.....	26	
SPCP101004LG.U.....	19	SPCP131804LT.....	19	SPCP132513T.U.....	19		WPCP303018G.U.....	26	
SPCP101004LT.....	19	SPCP131804LT.U.....	19	SPCP181808G.....	19	VMA2.....	45	WPCP303018T.....	26
SPCP101004LT.U.....	19	SPCP131805LG.....	19	SPCP181808G.U.....	19	VMA4.....	45	WPCP303018T.U.....	26
SPCP101006G.....	19	SPCP131805LG.U.....	19	SPCP181808T.....	19	VMA6.....	45	WPCP304013G.....	26
SPCP101006G.U.....	19	SPCP131805LT.....	19	SPCP181808T.U.....	19	VMA8.....	45	WPCP304013G.U.....	26
SPCP101006T.....	19	SPCP131805LT.U.....	19	SPCP181810G.....	19	VMA10.....	45	WPCP304013T.....	26
SPCP101006T.U.....	19	SPCP131806G.....	19	SPCP181810G.U.....	19	VMA12.....	45	WPCP304013T.U.....	26
SPCP131304LG.....	19	SPCP131806T.....	19	SPCP181810T.....	19	VMA1519.....	45	WPCP304018G.....	26
SPCP131304LG.U.....	19	SPCP131806T.U.....	19	SPCP181810T.U.....	19			WPCP304018G.U.....	26
SPCP131304LT.....	19	SPCP131806T.U.....	19	SPCP181813G.....	19	W		WPCP304018T.....	26
SPCP131304LT.U.....	19	SPCP131808G.....	19	SPCP181813G.U.....	19			WPCP304018T.U.....	26
SPCP131305LG.....	19	SPCP131808G.U.....	19	SPCP181813T.....	19			WPCP306013G.....	26
SPCP131305LG.U.....	19	SPCP131808LG.....	19	SPCP181813T.U.....	19	WPCP202013G.....	26	WPCP306013G.U.....	26
SPCP131305LT.....	19	SPCP131808LG.U.....	19	SPCP181815G.....	19	WPCP202013G.U.....	26	WPCP306013T.....	26
SPCP131305LT.U.....	19	SPCP131808LT.....	19	SPCP181815G.U.....	19	WPCP202013T.....	26	WPCP306013T.U.....	26
SPCP131306G.....	19	SPCP131808LT.U.....	19	SPCP181815T.....	19	WPCP202013T.U.....	26	WPCP306018G.....	26
SPCP131306G.U.....	19	SPCP131808T.....	19	SPCP181815T.U.....	19	WPCP202018G.....	26	WPCP306018G.U.....	26
SPCP131306T.....	19	SPCP131808T.U.....	19	SPCP182508G.....	19	WPCP202018G.U.....	26	WPCP306018T.....	26
SPCP131306T.U.....	19	SPCP131810G.....	19	SPCP182508G.U.....	19	WPCP202018T.....	26	WPCP306018T.U.....	26
SPCP131308G.....	19	SPCP131810G.U.....	19	SPCP182508T.....	19	WPCP202018T.U.....	26	WPCP404013G.....	26
SPCP131308G.U.....	19	SPCP131810LG.....	19	SPCP182508T.U.....	19	WPCP203013G.....	26	WPCP404013G.U.....	26
SPCP131308LG.....	19	SPCP131810LG.U.....	19	SPCP182510G.....	19	WPCP203013G.U.....	26	WPCP404013T.....	26
SPCP131308LG.U.....	19	SPCP131810LT.....	19	SPCP182510G.U.....	19	WPCP203013T.....	26	WPCP404013T.U.....	26
SPCP131308LT.....	19	SPCP131810LT.U.....	19	SPCP182510T.....	19	WPCP203013T.U.....	26	WPCP404018G.....	26
SPCP131308LT.U.....	19	SPCP131810T.....	19	SPCP182510T.U.....	19	WPCP203018G.....	26	WPCP404018G.U.....	26
SPCP131308T.....	19	SPCP131810T.U.....	19	SPCP182515G.....	19	WPCP203018G.U.....	26	WPCP404018T.....	26
SPCP131308T.U.....	19	SPCP131813G.....	19	SPCP182515G.U.....	19	WPCP203018T.....	26	WPCP404018T.U.....	26
SPCP131310G.....	19	SPCP131813G.U.....	19	SPCP182515T.....	19	WPCP203018T.U.....	26	WPCP406013G.....	26
SPCP131310G.U.....	19	SPCP131813LG.....	19	SPCP182515T.U.....	19	WPCP204013G.....	26	WPCP406013G.U.....	26
SPCP131310LG.....	19	SPCP131813LG.U.....	19	ST80/U.....	46	WPCP204013G.U.....	26	WPCP406013T.....	26
SPCP131310LG.U.....	19	SPCP131813LT.....	19			WPCP204013T.....	26	WPCP406013T.U.....	26
SPCP131310LT.....	19	SPCP131813LT.U.....	19	T		WPCP204013T.U.....	26	WPCP406018G.....	26
SPCP131310LT.U.....	19	SPCP131813T.....	19	TPCF203013G002.....	33	WPCP204018G.....	26	WPCP406018G.U.....	26
SPCP131310T.....	19	SPCP131813T.U.....	19	TPCF304013G003.....	33	WPCP204018G.U.....	26	WPCP406018T.....	26
SPCP131310T.U.....	19	SPCP131815G.....	19	TPCF304013G004.....	33	WPCP204018T.....	26	WPCP406018T.U.....	26
SPCP131313G.....	19	SPCP131815G.U.....	19	TPCF306013G005.....	33	WPCP204018T.U.....	26	WPCP406018T.U.....	26
SPCP131313G.U.....	19	SPCP131815T.....	19	TPM131308G001.....	33	WPCP204018T.U.....	26	WQL1.1.....	29
SPCP131313T.....	19	SPCP132513G.....	19			WPCP303013G.....	26		
SPCP131313T.U.....	19	SPCP132513G.U.....	19			WPCP303013G.U.....	26		
SPCP131804LG.....	19					WPCP303013T.....	26		
						WPCP303013T.U.....	26		

Legal notice

The information in this brochure is to the best of Ensto's knowledge and belief correct and reliable. We reserve the right to make changes in the specifications, materials and production methods without further notice. Be aware of that you have to evaluate independently the suitability of each product for the intended application. Ensto does not give any assurance of any particular quality or performance. Our responsibilities for the products are set forth in the "Orgalime S 2000 General Conditions for the Supply of Mechanical, Electrical and Electronic Products". The products shall be installed only by a competent person having nationally required knowledge. Ensto is not responsible for its distributors or for any misuse, incorrect installation or ignored national safety or other national provisions.

Copyright Ensto Oy 2017, Ensto™

More information available on our website

Product cards available on ensto.com/products/enclosures

We support your end-solution design process with design files related to both our standard and customer-specific enclosing solutions, terminals and load break switches. The files are then easy to use in your own design tools for further integration to the end applications.

Design files for our standard products are available via our web pages. If you need a larger number of different documents, we are ready to deliver those on request.

Available design file formats:

PDF, DWG, DXF, STEP and separately zipped STEP-files, for example, for use in E3 software.



More information available on ensto.com/industrial

On this website you will find, for instance:

- Latest product news
- Customer references
- Catalogues and leaflets
- Distributor information
- Contact information for our sales personnel.



Order materials via email electrification@ensto.com

Ensto

Ensto is a family business and international cleantech company specializing in the development, manufacture and marketing of electrical systems and supplies for the distribution of electrical power as well as electrical applications. We are committed to lasting sustainable development and our goal is to be the world's leading company in green energy efficiency and distribution. Our products, manufactured in seven different countries, are environmentally friendly, energy efficient and leave a minimum carbon footprint.

Facts

- Established in 1958
- 1600 people in Europe, Asia and Americas
- Local presence in 20 countries
- Turnover EUR 263 million
- Headquarters located in Finland.

Cleantech

Cleantech refers to all those products, services, processes, and technologies which prevent or reduce the impact of harmful actions on the environment. Cleantech stands for higher quality, efficiency, and profitability. Ensto and other Finnish companies are already world leaders in several key cleantech sectors.



Ensto Finland Oy
Ensio Miettisen Katu 2, P.O. Box 77
FIN-06101 Porvoo, Finland
Tel. +358 204 76 21
electrification@ensto.com

ensto.com

